



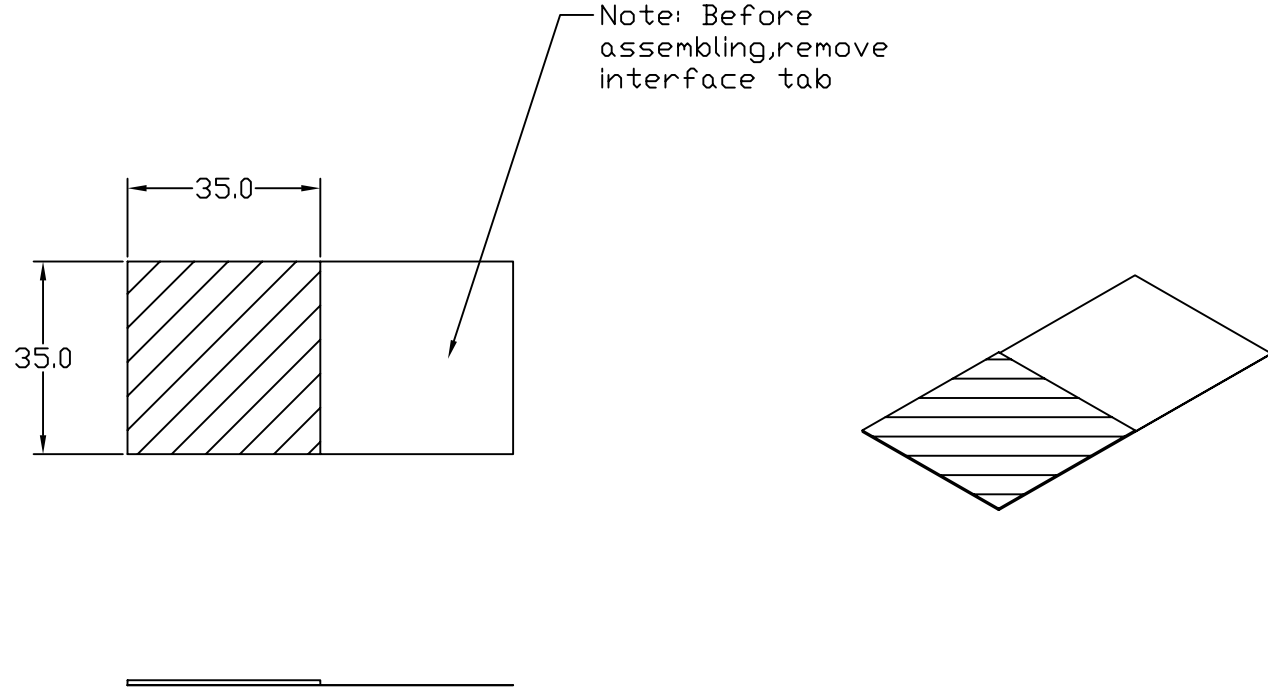







NOTICE - PROPRIETARY INFORMATION  
 THE DESIGN AND RELATED INFORMATION CONTAINED HEREIN  
 IS THE SOLE PROPERTY OF COFAN INC. THE DISCLOSURE  
 OF THIS INFORMATION DOES NOT CONSTITUTE THE RELEASE OF  
 ANY PROPRIETARY RIGHTS THEREIN. PERMISSION TO REPRODUCE  
 THIS INFORMATION OR THE PRODUCTS DISCLOSED HEREIN  
 MUST BE OBTAINED IN WRITING FROM COFAN INC.

Chomerics T-725 Thermal Interface Tape

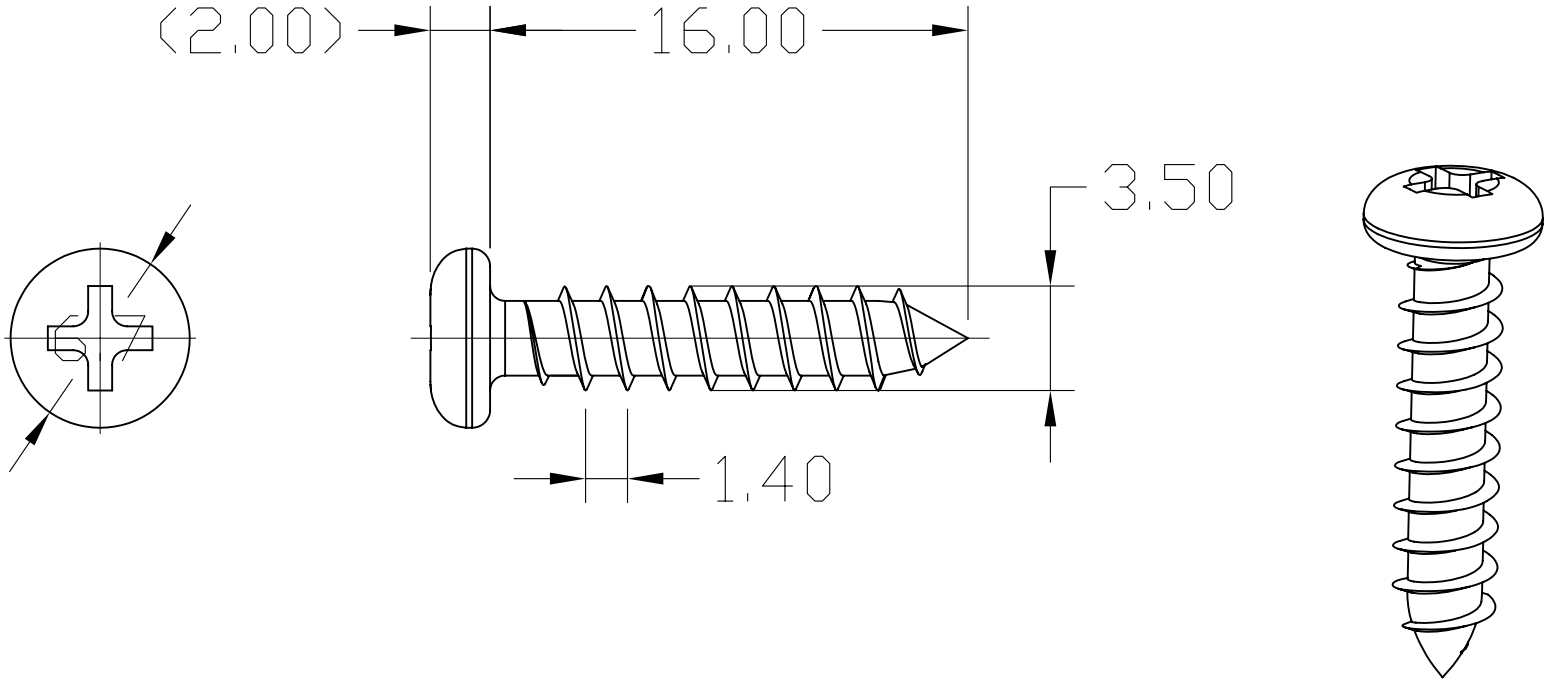


Note: This assembly does not contain any hazardous substances such as lead, mercury, or PCB's, or is below acceptable levels, and is in compliance with 2002/95/EC of the European Parliament and of the Council of 27th January, 2003, on the restriction on the use of certain hazardous substances in electrical and electronic equipment.

<b>DO NOT SCALE DRAWING</b> <small>UNLESS OTHERWISE SPECIFIED          DIMENSIONS ARE IN MILLIMETRE          TOLERANCES ARE:</small> 1 PLACE .X ± 0.4 2 PLACE .XX ± 0.25 3 PLACE .XXX ± 0.13 ANGLES EXCEPT 90° ± 1° MAXIMUM SURFACE ROUGHNESS 125√	MATERIAL:	CUSTOMER DRAWING NUMBER:	 1400 FULTON PL. UNIT A FREMONT CA 94539		
	FINISH:	CUSTOMER PART NUMBER:	NAME: THERMAL PAD		
	DRAWN BY: <i>Dan</i>	COFAN DRAWING NUMBER: T7253535	SCALE: 1:1	CUS REV: -	COF REV: 01
	APPR BY:	COFAN PART NUMBER: T7253535	SHEET: 1 OF 1	DATE DRAWN: Sep-15-2004	

NOTICE - PROPRIETARY INFORMATION  
 THE DESIGN AND RELATED INFORMATION CONTAINED HEREIN  
 IS THE SOLE PROPERTY OF COFAN INC. THE DISCLOSURE  
 OF THIS INFORMATION DOES NOT CONSTITUTE THE RELEASE OF  
 ANY PROPRIETARY RIGHTS THEREIN. PERMISSION TO REPRODUCE  
 THIS INFORMATION OR THE PRODUCTS DISCLOSED HEREIN  
 MUST BE OBTAINED IN WRITING FROM COFAN INC.

REVISION HISTORY					
REV	DESCRIPTION	DRWN	CHK'D	APPVD	DATE
---	SEE SHEET 1	---	---	---	---



Note: This assembly does not contain any hazardous substances such as lead, mercury, or PCB's, or is below acceptable levels, and is in compliance with 2002/95/EC of the European Parliament and of the Council of 27th January, 2003, on the restriction on the use of certain hazardous substances in electrical and electronic equipment.

DO NOT SCALE DRAWING UNLESS OTHERWISE SPECIFIED DIMENSIONS ARE IN MILLIMETRE TOLERANCES ARE: 1 PLACE .X ± 0.4 2 PLACE .XX ± 0.25 3 PLACE .XXX ± 0.13 ANGLES EXCEPT 90° ± 1° MAXIMUM SURFACE ROUGHNESS 125√	MATERIAL: STEEL	CUSTOMER DRAWING NUMBER: ---	 1400 FULTON PL. UNIT A FREMONT CA 94539	
	FINISH: BLACK ZINC	CUSTOMER PART NUMBER: ---	NAME: SCREW	
	DRAWN BY: ZHENG	COFAN DRAWING NUMBER: FS3516	SCALE: 4:1	REV: 01
	APPR BY:	COFAN PART NUMBER: FS3516	SHEET: 1 OF 1	DATE DRAWN: 01-19-2004