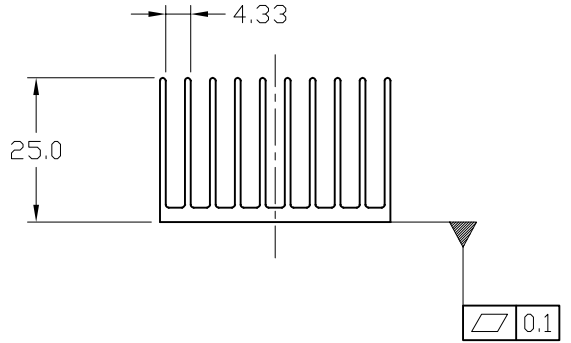
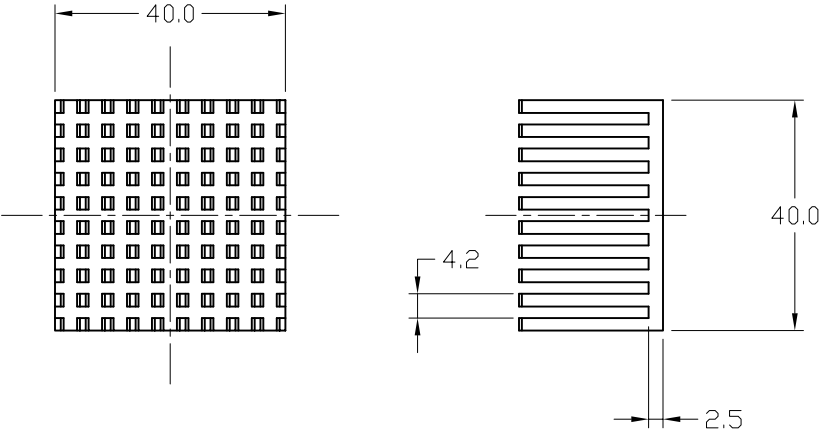
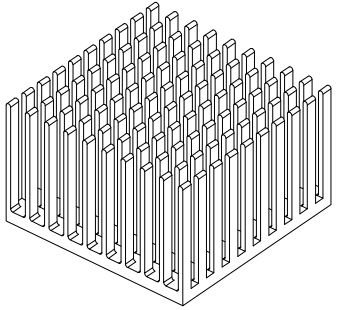


NOTICE - PROPRIETARY INFORMATION
 THE DESIGN AND RELATED INFORMATION CONTAINED HEREIN IS THE SOLE PROPERTY OF COFAN USA INC. THE DISCLOSURE OF THIS INFORMATION DOES NOT CONSTITUTE THE RELEASE OF ANY PROPRIETARY RIGHTS THEREIN. PERMISSION TO REPRODUCE THIS INFORMATION OR THE PRODUCTS DISCLOSED HEREIN MUST BE OBTAINED IN WRITING FROM COFAN USA INC.

REVISION HISTORY				
REV	DESCRIPTION	DRWN	CHK'D	APP'VD
---	SEE SHEET 1	---	---	---

- NOTES:
1. MATERIAL: AL6063-T5.
 2. FINISH: BLACK ANODIZED.
 3. BREAK ALL SHARP EDGES AND CORNERS.
 4. \triangle IS CRITICAL INSPECTION POINT. NUMBERING IN TRIANGLE IS TO BE USED FOR CROSS REFERENCE OF INSPECTION REPORT TO DRAWING DIMENSION OR FEATURE.
 5. EXTRUSION GROSS WEIGHT: 38.6g/Pcs



RoHS
 COMPLIANT
 2002/95/EC

DO NOT SCALE DRAWING		NAME:	DATE:	CUSTOMER DRAWING NUMBER:	 46177 VARN SPRINGS BLVD FREMONT CA 94539			
UNLESS OTHERWISE SPECIFIED DIMENSIONS ARE IN MILLIMETRE TOLERANCES ARE:		DRAWN BY:	11/18/08	----	CUSTOMER PART NUMBER:	NAME: HEAT SINK, 40x40x25 MM		
1 PLACE .X	±	CHECKED BY:	IVAN.C	10/22/10	----	SCALE:	CUS REV:	COF REV:
2 PLACE .XX	± 0.25	CHECKED BY:			COFAN DRAWING NUMBER:	1:1	-	02
3 PLACE .XXX	±	APPR BY:			20-1047	SHEET:	DATE DRAWN:	
ANGLES EXCEPT 90°	± 0.5°				COFAN PART NUMBER:	1 OF 1	11/18/08	
MAXIMUM SURFACE ROUGHNESS	1.6√				20-1047			