


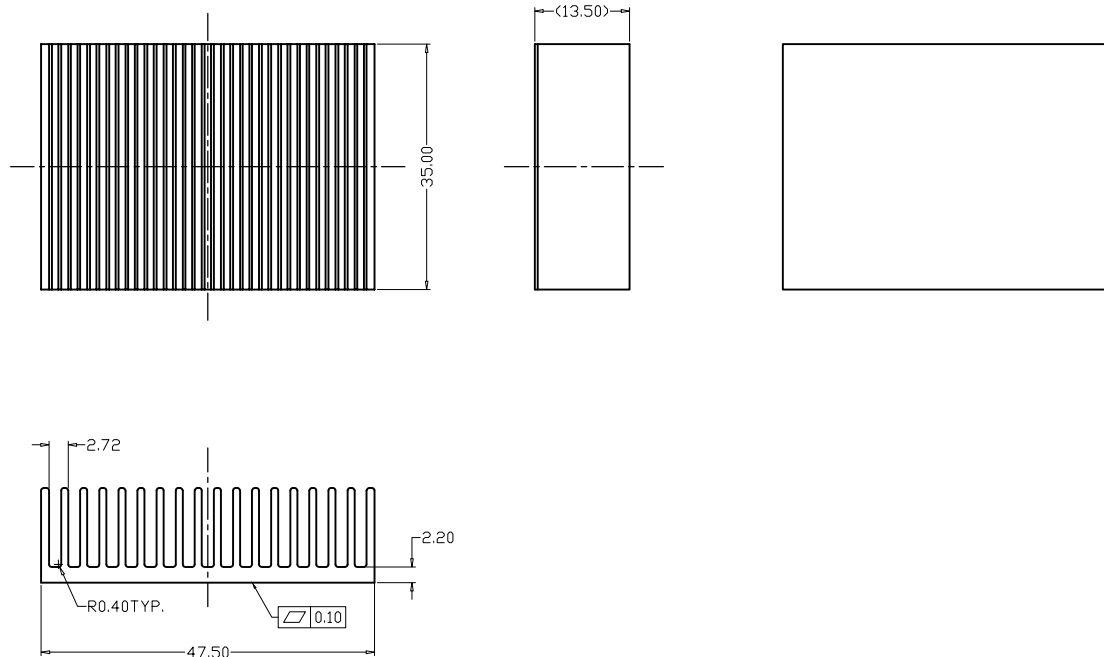
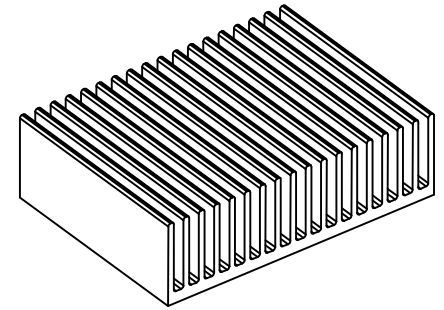
8 7 6 5 4 3 2 1


NOTICE - PROPRIETARY INFORMATION  
 THE DESIGN AND RELATED INFORMATION CONTAINED HEREIN  
 IS THE SOLE PROPERTY OF COFAN INC. THE DISCLOSURE  
 OF THIS INFORMATION DOES NOT CONSTITUTE THE RELEASE OF  
 ANY PROPRIETARY RIGHTS THEREIN. PERMISSION TO REPRODUCE  
 THIS INFORMATION OR THE PRODUCTS DISCLOSED HEREIN  
 MUST BE OBTAINED IN WRITING FROM COFAN INC.

REVISION HISTORY					
REV	DESCRIPTION	DRWN	CHK'D	APP'VD	DATE
---	---	---	---	---	---

NOTES:

- 1. MATERIAL: AL 6063-T5
- 2. FINISH: BLACK ANODIZED
- 3.  IS CRITICAL INSPECTION POINT NUMBERING IN TRIANGLE  
 IS TO BE USED FOR CROSS REFERENCE OF INSPECTION  
 REPORT TO DRAWING DIMENSION OR FEATURE
- 4. SECTION AREA: 10.7 MM<sup>2</sup>
- 5. PART GROSS WEIGHT: 28.9 GRAMS



DO NOT SCALE DRAWING UNLESS OTHERWISE SPECIFIED DIMENSIONS ARE IN MILLIMETRE TOLERANCES ARE: 1 PLACE .X ± 0.4 2 PLACE .XX ± 0.25 3 PLACE .XXX ± 0.13 ANGLES EXCEPT 90° ± 1° MAXIMUM SURFACE ROUGHNESS 125 √	MATERIAL: 1	CUSTOMER DRAWING NUMBER: ---	 COFAN USA 46177 Warn Springs Blvd., Fremont, CA 94539		
	FINISH: 2	CUSTOMER PART NUMBER: ---	NAME: HEAT SINK, 47.5x35x13.5 MM		
	DRAWN BY: AJJE	COFAN ASSY DWG NUMBER: 20-1098	SCALE: NONE	CUS REV: 01	COF REV: 02
	APPR BY: IVAN.C	COFAN ASSY PART NUMBER: 20-1098	SHEET: 1 DF 1	DATE DRAWN: APR-10-2006	