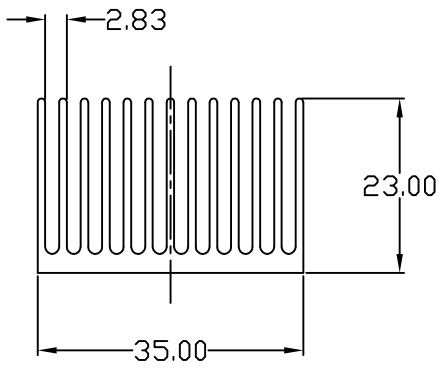
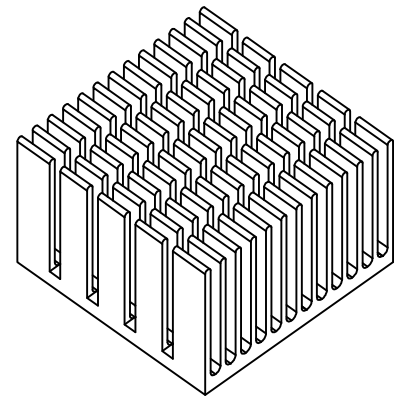
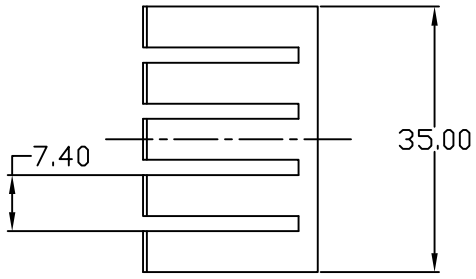
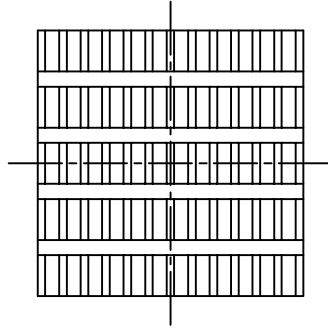



NOTICE - PROPRIETARY INFORMATION
 THE DESIGN AND RELATED INFORMATION CONTAINED HEREIN
 IS THE SOLE PROPERTY OF COFAN INC. THE DISCLOSURE
 OF THIS INFORMATION DOES NOT CONSTITUTE THE RELEASE OF
 ANY PROPRIETARY RIGHTS THEREIN. PERMISSION TO REPRODUCE
 THIS INFORMATION OR THE PRODUCTS DISCLOSED HEREIN
 MUST BE OBTAINED IN WRITING FROM COFAN INC.



DO NOT SCALE DRAWING

UNLESS OTHERWISE SPECIFIED
 DIMENSIONS ARE IN MILLIMETRE
 TOLERANCES ARE:

1 PLACE .X	± 0.4
2 PLACE .XX	± 0.25
3 PLACE .XXX	± 0.13
ANGLES EXCEPT 90°	± 1°
MAXIMUM SURFACE ROUGHNESS	3.15

MATERIAL: AL 6063-T5	CUSTOMER DRAWING NUMBER: -	 COFAN USA <small>46177 Warm Springs Blvd, Fremont, CA 94539</small>		
FINISH: Black Anodize	CUSTOMER PART NUMBER: ----	NAME: HEAT SINK, 35X35X23 MM		
DRAWN BY: <i>Dan</i>	COFAN DRAWING NUMBER:	SCALE: 1:1	CUS REV: -	COF REV: 01
APPR BY: IVAN.C	COFAN PART NUMBER: 20-1100	SHEET: 1 OF 1	DATE DRAWN: May-16-2008	