

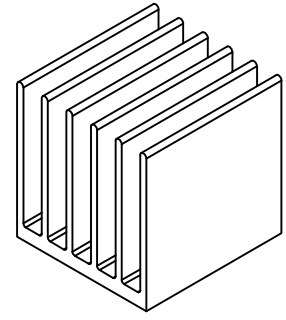
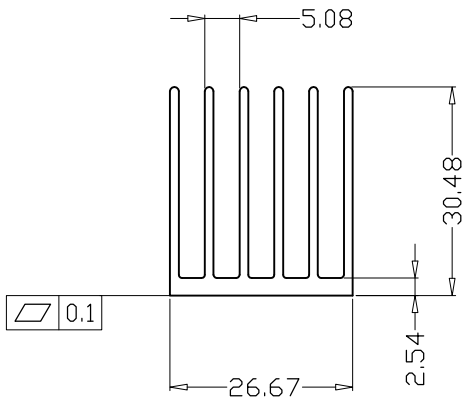
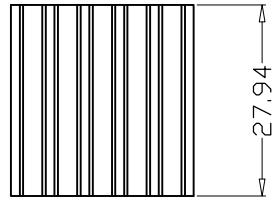
NOTICE - PROPRIETARY INFORMATION
 THE DESIGN AND RELATED INFORMATION CONTAINED HEREIN
 IS THE SOLE PROPERTY OF COFAN INC. THE DISCLOSURE
 OF THIS INFORMATION DOES NOT CONSTITUTE THE RELEASE OF
 ANY PROPRIETARY RIGHTS THEREIN. PERMISSION TO REPRODUCE
 THIS INFORMATION OR THE PRODUCTS DISCLOSED HEREIN
 MUST BE OBTAINED IN WRITING FROM COFAN INC.

REVISION HISTORY					
REV	DESCRIPTION	DRWN	CHK'D	APP'VD	DATE
02	Height change to 30.48mm from 27.94mm. Customer part# change to 20-00550-01 from 20-00190-01.	AJie	--	--	Jun-06-07

NOTES

- 1. MATERIAL: AL 6063-T5
- 2. FINISH: BLACK ANODIZE
- 3. APPROX WEIGHT: 21.17g
- 4. ⚠ IS CRITICAL INSPECTION POINT, NUMBERING IN TRIANGLE IS TO BE USED FOR CROSS REFERENCE OF INSPECTION REPORT TO DRAWING DIMENSION OR FEATURE.
- 5. NO SHARP BURR OR EDGES

RoHS
 Compliant
 2002/95/EC



DO NOT SCALE DRAWING
 UNLESS OTHERWISE SPECIFIED
 DIMENSIONS ARE IN MILLIMETRE
 TOLERANCES ARE:
 1 PLACE .X ± 0.3
 2 PLACE .XX ± 0.13
 3 PLACE .XXX ± 0.06
 ANGLES EXCEPT 90° ± 0.5°
 MAXIMUM SURFACE ROUGHNESS 3.2 √

MATERIAL:	1	CUSTOMER DRAWING NUMBER:	 46177 Warm Springs Blvd, Fremont, CA 94539		
FINISH:	2	CUSTOMER PART NUMBER:	NAME: HEAT SINK, 28X27X30.5 MM		
DRAWN BY:	Ajie	COFAN DRAWING NUMBER:	SCALE:	CUS REV:	COF REV:
APPR BY:	Ivan.C	20-1180	1:1	A0	02
		COFAN PART NUMBER:	SHEET:	DATE DRAWN:	
		20-1180	1 OF 1	Jun-06-2007	