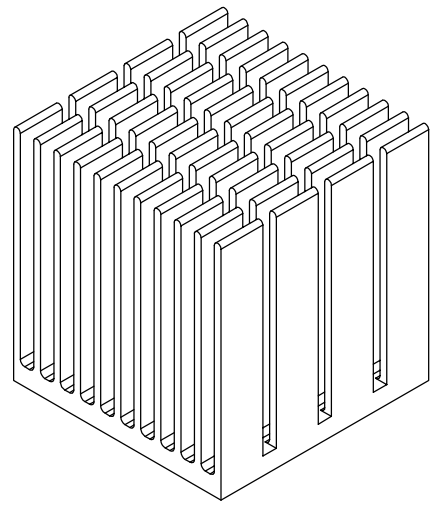
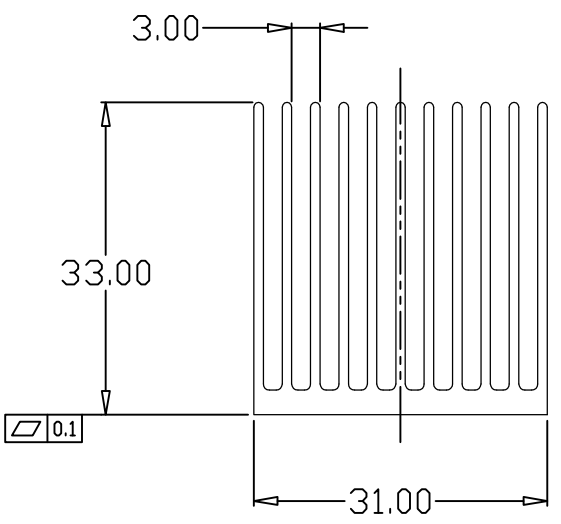
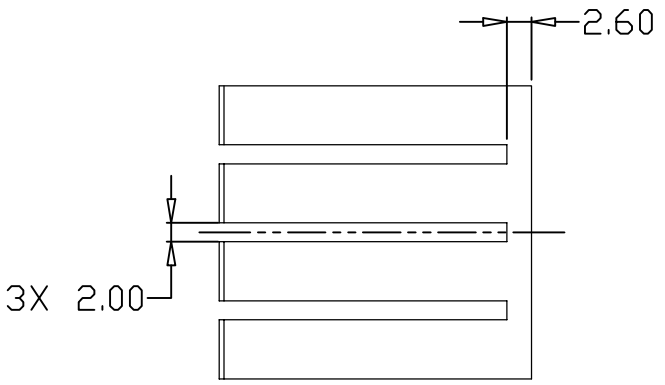
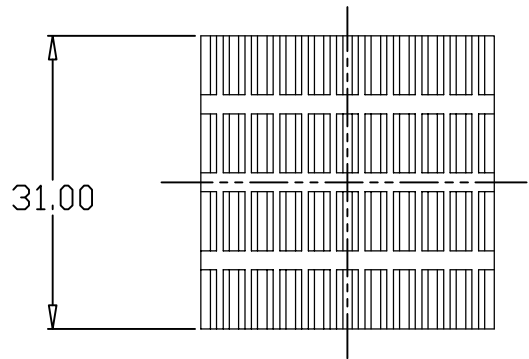


NOTICE - PROPRIETARY INFORMATION  
 THE DESIGN AND RELATED INFORMATION CONTAINED HEREIN  
 IS THE SOLE PROPERTY OF COFAN INC. THE DISCLOSURE  
 OF THIS INFORMATION DOES NOT CONSTITUTE THE RELEASE OF  
 ANY PROPRIETARY RIGHTS THEREIN. PERMISSION TO REPRODUCE  
 THIS INFORMATION OR THE PRODUCTS DISCLOSED HEREIN  
 MUST BE OBTAINED IN WRITING FROM COFAN INC.

REVISION HISTORY					
REV	DESCRIPTION	DRWN	CHK'D	APP'VD	DATE
-	-	-	-	-	-

- NOTES:
1. MATERIAL: AL 6063-T5.
  2. FINISH: BLACK ANODIZED.
  3. BREAK ALL SHARP EDGES AND CORNERS.
  4.  $\triangle$  IS CRITICAL INSPECTION POINT. NUMBERING IN TRIANGLE IS TO BE USED FOR CROSS REFERENCE OF INSPECTION REPORT TO DRAWING DIMENSION OR FEATURE.
  5. PART GROSS WEIGHT: 116 g/pcs



RoHS  
 Compliant  
 2002/95/EC

DO NOT SCALE DRAWING  
 UNLESS OTHERWISE SPECIFIED  
 DIMENSIONS ARE IN MILLIMETRE  
 TOLERANCES ARE:

1 PLACE .X	± 0.4
2 PLACE .XX	± 0.25
3 PLACE .XXX	± 0.13

ANGLES EXCEPT 90° ± 1°  
 MAXIMUM SURFACE ROUGHNESS 3.15  $\sqrt{}$

MATERIAL:	1	CUSTOMER DRAWING NUMBER:	-		
FINISH:	2	CUSTOMER PART NUMBER:	-		
DRAWN BY:	Bob.G	COFAN DRAWING NUMBER:	20-1305	SCALE:	1:1
APPR BY:	IVANC	COFAN PART NUMBER:	20-1305	CUS REV:	-
		SHEET:	1 OF 1	COF REV:	01
		DATE DRAWN:	Apr-28-2006		

COFAN USA  
 46177 Varn Springs Blvd, Fremont, CA 94539

NAME:  
 HEAT SINK, 31X31X33 MM