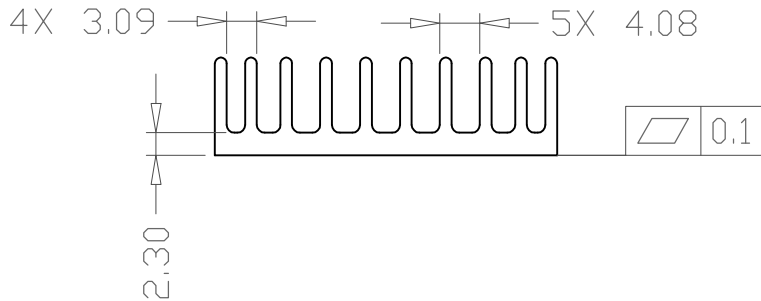
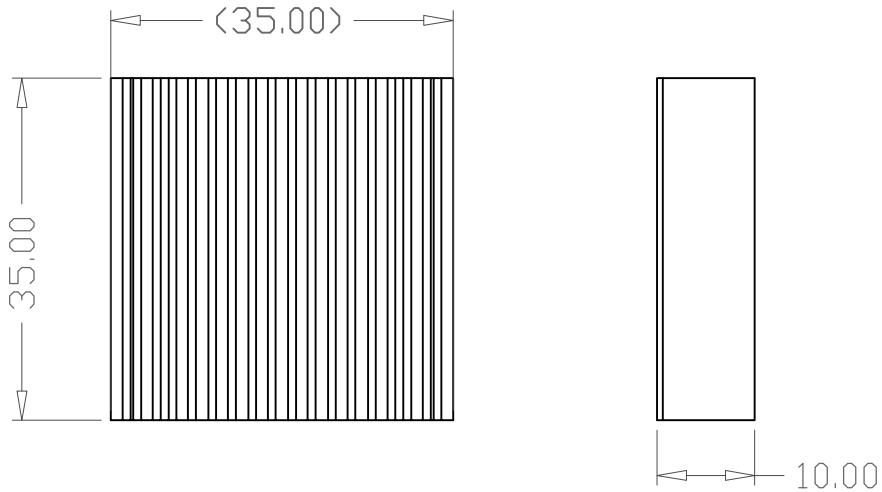
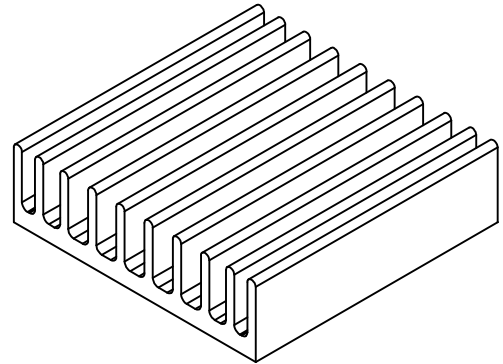


NOTICE - PROPRIETARY INFORMATION
 THE DESIGN AND RELATED INFORMATION CONTAINED HEREIN
 IS THE SOLE PROPERTY OF COFAN INC. THE DISCLOSURE
 OF THIS INFORMATION DOES NOT CONSTITUTE THE RELEASE OF
 ANY PROPRIETARY RIGHTS THEREIN. PERMISSION TO REPRODUCE
 THIS INFORMATION OR THE PRODUCTS DISCLOSED HEREIN
 MUST BE OBTAINED IN WRITING FROM COFAN INC.

REVISION HISTORY					
REV	DESCRIPTION	DRWN	CHK'D	APP'VD	DATE

NOTES

1. MATERIAL: AL 6063-T5
2. FINISH: BLACK ANODIZED
3. BREAK ALL SHARP EDGES AND CORNERS.
4. ALL DIMENSIONS ARE TOLERANCED BY THE DECIMAL PLACE AND TOLERANCES IN THE TITLE BLOCK UNLESS NOTED BY A SEPARATE CALLOUT.
5. PART WEIGHT: 16.4g



DO NOT SCALE DRAWING <small>UNLESS OTHERWISE SPECIFIED DIMENSIONS ARE IN MILLIMETRE TOLERANCES ARE:</small>	MATERIAL:	1	CUSTOMER DRAWING NUMBER:	 <small>46177 Warm Springs Blvd., Fremont, CA 94539</small>		
	FINISH:	2	CUSTOMER PART NUMBER:	NAME: HEAT SINK		
	DRAWN BY:	<i>Ajie</i>	COFAN DRAWING NUMBER:	SCALE:	CUS REV:	COF REV:
	APPR BY:	IVANC	COFAN PART NUMBER:	20-1371	1:1	-
<small>1 PLACE .X ± 0.4 2 PLACE .XX ± 0.20 3 PLACE .XXX ± 0.13 ANGLES EXCEPT 90° ± 0.5° MAXIMUM SURFACE ROUGHNESS 3.2√</small>			20-1371	SHEET:	1 OF 1	
					DATE DRAWN: Aug-15-2006	