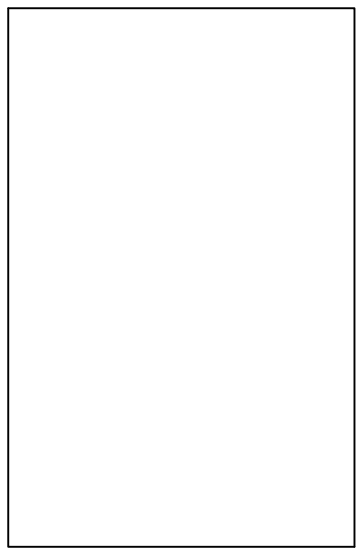
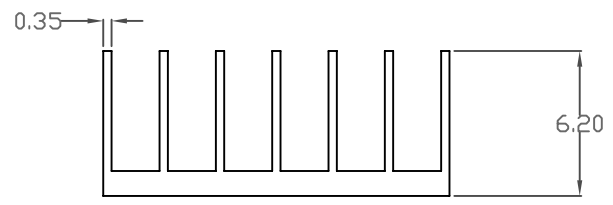
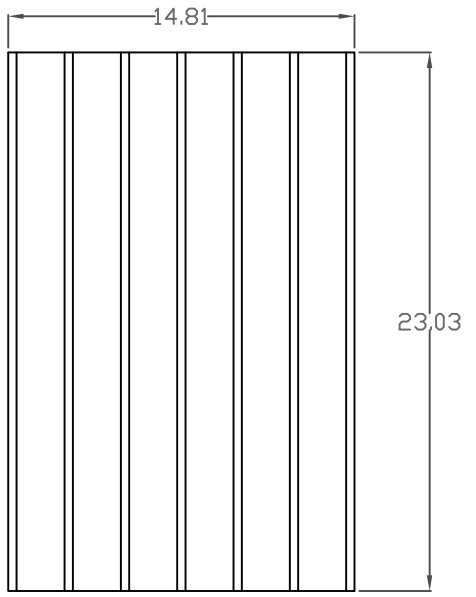
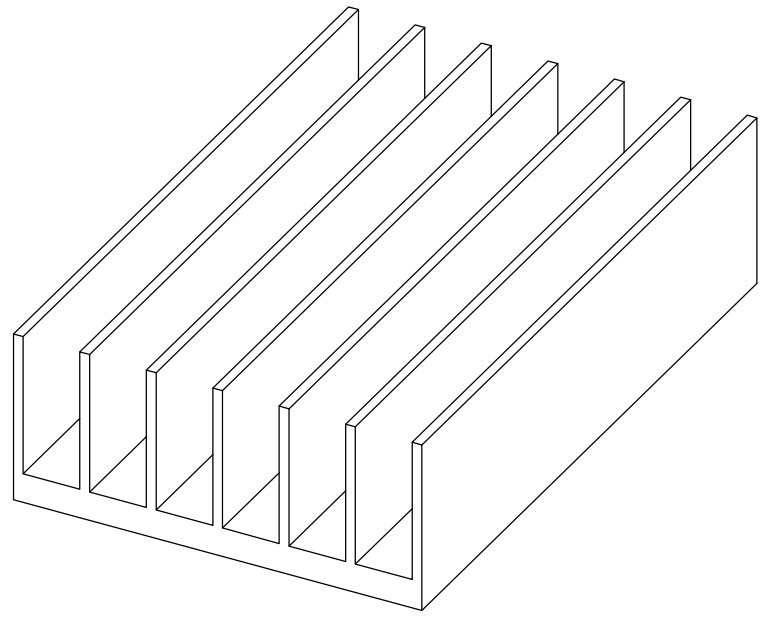


NOTICE - PROPRIETARY INFORMATION
 THE DESIGN AND RELATED INFORMATION CONTAINED HEREIN
 IS THE SOLE PROPERTY OF COFAN INC. THE DISCLOSURE
 OF THIS INFORMATION DOES NOT CONSTITUTE THE RELEASE OF
 ANY PROPRIETARY RIGHTS THEREIN. PERMISSION TO REPRODUCE
 THIS INFORMATION OR THE PRODUCTS DISCLOSED HEREIN
 MUST BE OBTAINED IN WRITING FROM COFAN INC.



NOTES:

- 1 MATERIAL: 6063-T5 ALLOY
- 2 FINISH: BLACK ANODIZE
- 3 DIMENSIONS AND TOLERANCE PER ANSI Y14.5-1982.
- 4 REMOVE ALL SHARP EDGES AND BURRS.



DO NOT SCALE DRAWING UNLESS OTHERWISE SPECIFIED DIMENSIONS ARE IN MILLIMETRE TOLERANCES ARE: 1 PLACE .X ± 0.4 2 PLACE .XX ± 0.25 3 PLACE .XXX ± 0.13 ANGLES EXCEPT 90° ± 1° MAXIMUM SURFACE ROUGHNESS 125√	DRAWING NUMBER:	-		
	MATERIAL:	1	 46177 Warm Springs Blvd., Fremont, CA 94539	
	FINISH:	2	HEAT SINK	
	DRAWN BY: DAN	PART NUMBER:	20-1587	REV:
ENGINEER: IVAN.C	SHEET:	1 OF 1	DATE DRAWN:	09-18-2003
			SCALE:	1:1