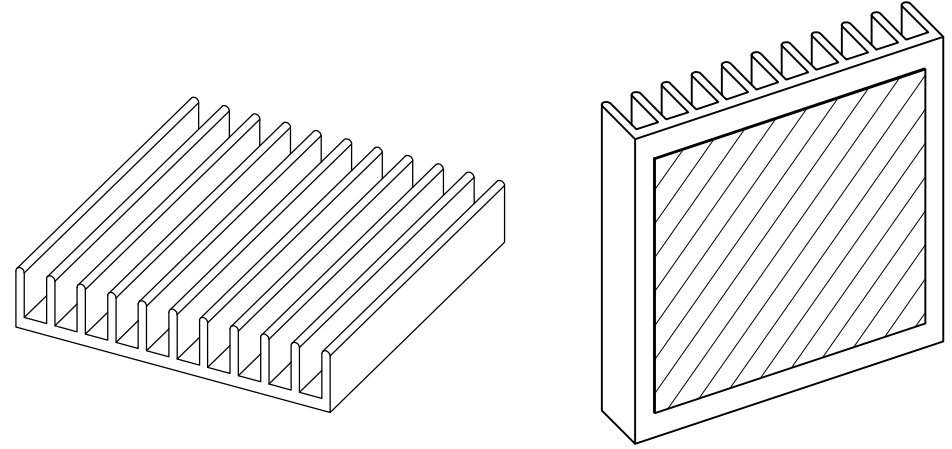
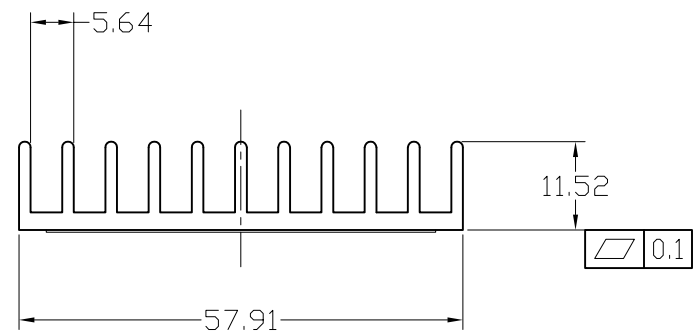
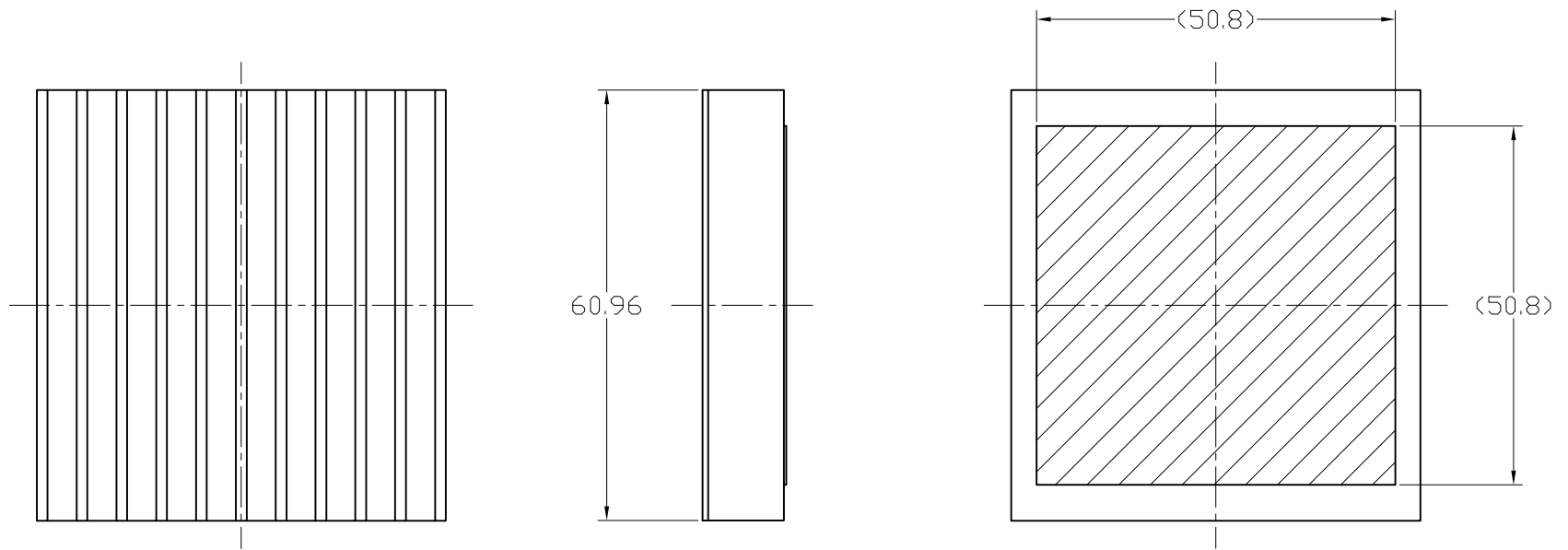


NOTICE - PROPRIETARY INFORMATION
 THE DESIGN AND RELATED INFORMATION CONTAINED HEREIN
 IS THE SOLE PROPERTY OF COFAN INC. THE DISCLOSURE
 OF THIS INFORMATION DOES NOT CONSTITUTE THE RELEASE OF
 ANY PROPRIETARY RIGHTS THEREIN. PERMISSION TO REPRODUCE
 THIS INFORMATION OR THE PRODUCTS DISCLOSED HEREIN
 MUST BE OBTAINED IN WRITING FROM COFAN INC.



SCALE 0.8:1

COFAN PART # 20-1591 (WITHOUT PAD)
 COFAN PART # 30-2584 (WITH PAD)

DO NOT SCALE DRAWING <small>UNLESS OTHERWISE SPECIFIED DIMENSIONS ARE IN MILLIMETRE TOLERANCES ARE:</small> 1 PLACE .X ± 0.4 2 PLACE .XX ± 0.25 3 PLACE .XXX ± 0.13 <small>ANGLES EXCEPT 90° ± 1°</small> <small>MAXIMUM SURFACE ROUGHNESS</small> 125√	MATERIAL:	CUSTOMER DRAWING NUMBER:		 <small>46177 WARM SPRINGS BLVD FREMONT CA 94539</small>	
	AL 6063-T5	-	-		NAME: HEAT SINK
	FINISH:	CUSTOMER PART NUMBER:	COFAN DRAWING NUMBER:	SCALE:	REV:
	Black Anodize	-	20-1591	1:1	01
DRAWN BY:	APPR BY:	COFAN PART NUMBER:	SHEET:	DATE DRAWN:	
Dan	IVANC	20-1591	1 OF 1	Jan-28-2004	

8 7 6 5 4 3 2 1