
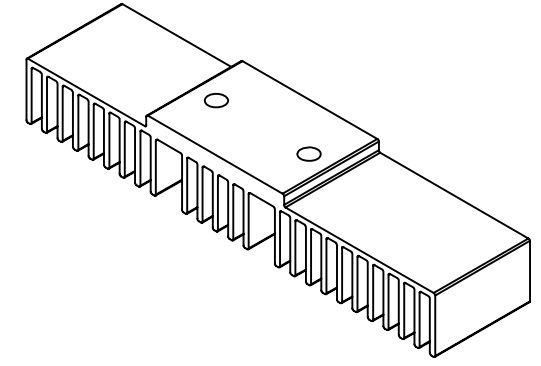
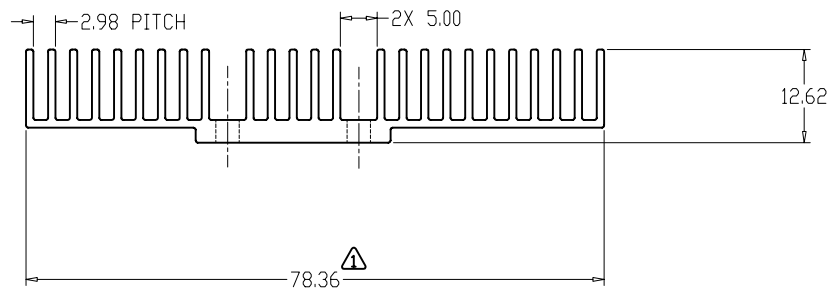
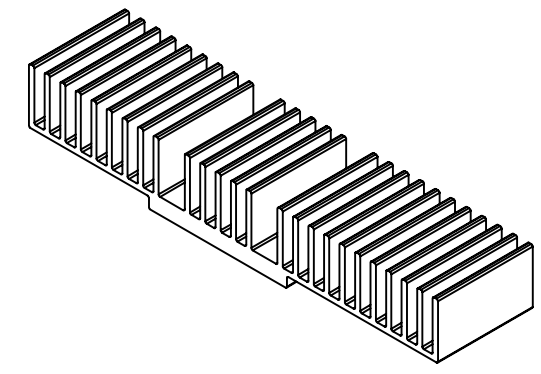
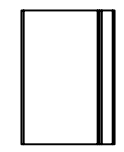



NOTICE - PROPRIETARY INFORMATION  
 THE DESIGN AND RELATED INFORMATION CONTAINED HEREIN IS THE SOLE PROPERTY OF COFAN INC. THE DISCLOSURE OF THIS INFORMATION DOES NOT CONSTITUTE THE RELEASE OF ANY PROPRIETARY RIGHTS THEREIN. PERMISSION TO REPRODUCE THIS INFORMATION OR THE PRODUCTS DISCLOSED HEREIN MUST BE OBTAINED IN WRITING FROM COFAN INC.

REVISION HISTORY					
REV	DESCRIPTION	DRWN	CHK'D	APPVD	DATE

NOTES

1. MATERIAL: AL6063-T5.
2. FINISH: BLACK ANODIZE.
3. BREAK ALL SHARP EDGES AND CORNERS.
4. ALL DIMENSIONS ARE TOLERANCED BY THE DECIMAL PLACE ON THE DRAWING AND IN THE TITLE BLOCK UNLESS NOTED ON THE DRAWING BY A SEPARATE TOLERANCE CALLOUT.
5.  IS CRITICAL INSPECTION POINT. NUMBERING IN TRIANGLE IS TO BE USED FOR CROSS REFERENCE OF INSPECTION REPORT TO DRAWING DIMENSION OR FEATURE.
6. PART WEIGHT: 18g/pcs



DO NOT SCALE DRAWING UNLESS OTHERWISE SPECIFIED DIMENSIONS ARE IN MILLIMETRE TOLERANCES ARE: 1 PLACE .X ± 0.25 2 PLACE .XX ± 0.13 3 PLACE .XXX ± ANGLES EXCEPT 90° ± 0.5° MAXIMUM SURFACE ROUGHNESS 64√	MATERIAL: 1	CUSTOMER DRAWING NUMBER: -----	 46177 WARM SPRINGS BLVD FREMONT CA 94539		
	FINISH: 2	CUSTOMER PART NUMBER: -----	NAME: HEAT SINK 78.4 x 18.2 x 12.6mm		
	DRAWN BY: Jun	COFAN DRAWING NUMBER: 20-1683	SCALE: 1 : 1	CUS REV: A	COF REV: 01
	APPR BY: IvanC.	COFAN PART NUMBER: 20-1683	SHEET: 1 OF 1	DATE DRAWN: May-30-2007	