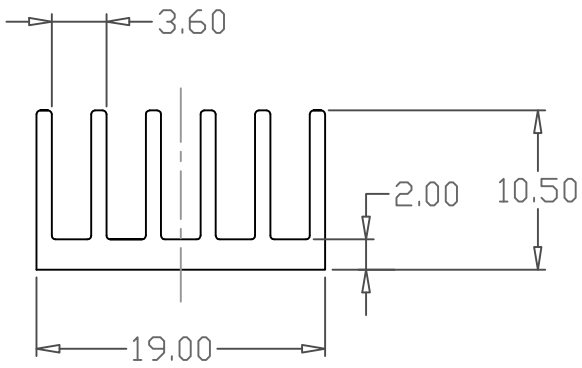
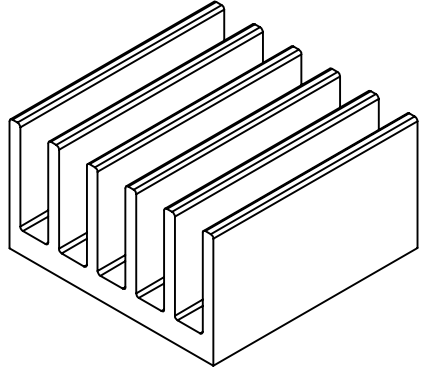
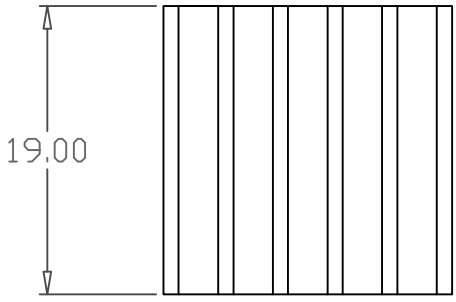



NOTICE - PROPRIETARY INFORMATION  
 THE DESIGN AND RELATED INFORMATION CONTAINED HEREIN  
 IS THE SOLE PROPERTY OF COFAN USA, INC. THE DISCLOSURE  
 OF THIS INFORMATION DOES NOT CONSTITUTE THE RELEASE OF  
 ANY PROPRIETARY RIGHTS THEREIN. PERMISSION TO REPRODUCE  
 THIS INFORMATION OR THE PRODUCTS DISCLOSED HEREIN  
 MUST BE OBTAINED IN WRITING FROM COFAN USA, INC.

REVISION HISTORY				



<b>DO NOT SCALE DRAWING</b> <small>UNLESS OTHERWISE SPECIFIED          DIMENSIONS ARE IN MILLIMETRE          TOLERANCES ARE:</small>	MATERIAL:	CUSTOMER DRAWING NUMBER:		 46177 Varn Springs Blvd., Fremont, CA 94539		
	6063-T5	-	-			
	FINISH:	PART NUMBER:	NAME:	HEAT SINK, 19X19X10.5 MM		
	BLACK ANODIZE	-	-			
1 PLACE .X	± 0.4	DRAWN BY:	COFAN ALTERNATE PART #:	SCALE:	CUS REV:	COF REV:
2 PLACE .XX	± 0.25	A.jie	20-2077	1:1	-	01
3 PLACE .XXX	± 0.13	APPR BY:	COFAN PART NUMBER:	SHEET:	DATE DRAWN:	
ANGLES EXCEPT 90°	± 0.5°	IVANC	20-2077	1 OF 1	Feb-21-2007	
MAXIMUM SURFACE ROUGHNESS	3.1 √					