
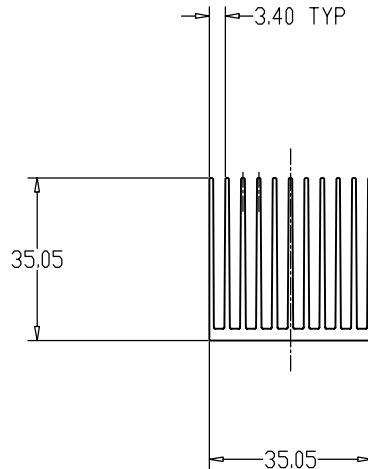
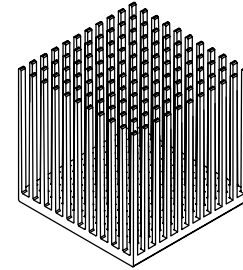
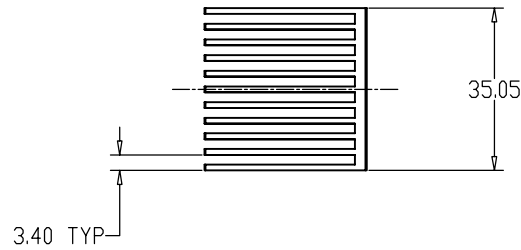
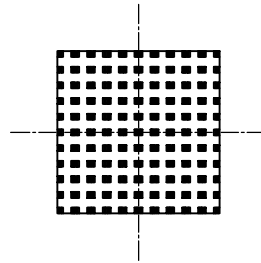


NOTICE - PROPRIETARY INFORMATION
 THE DESIGN AND RELATED INFORMATION CONTAINED HEREIN
 IS THE SOLE PROPERTY OF COFAN USA INC. THE DISCLOSURE
 OF THIS INFORMATION DOES NOT CONSTITUTE THE RELEASE OF
 ANY PROPRIETARY RIGHTS THEREIN. PERMISSION TO REPRODUCE
 THIS INFORMATION OR THE PRODUCTS DISCLOSED HEREIN
 MUST BE OBTAINED IN WRITING FROM COFAN USA INC.


REVISION HISTORY					
REV	DESCRIPTION	DRWN	CHK'D	APPVD	DATE
-	-	-	-	-	-

NOTES:

1. MATERIAL: 6063-T5
2. FINISH: CLEAR COATING(ROHS COMPLIANT)
3. DEBURR AND BREAK ALL SHARP EDGES.
4.  IS CRITICAL INSPECTION POINT. NUMBERING IN TRIANGLE IS TO BE USED FOR CROSS REFERENCE OF INSPECTION REPORT TO DRAWING DIMENSION OR FEATURE.
5. ALL DIMENSIONS TO INCLUDE APPLICABLE FINISH.
6. PART NUMBER AND REV SHALL BE STAMPED AND/OR OTHERWISE MARKED ON THE PART.
7. PART NET WEIGHT: 21.5 g/Pcs.



ROHS
 COMPLIANT
 2002/95/EC

DO NOT SCALE DRAWING UNLESS OTHERWISE SPECIFIED DIMENSIONS ARE IN MILLIMETRE TOLERANCES ARE: 1 PLACE .X ± 0.4 2 PLACE .XX ± 0.25 3 PLACE .XXX ± 0.13 ANGLES EXCEPT 90° ± 0.5° MAXIMUM SURFACE ROUGHNESS 6.4	NAME:	DATE:	CUSTOMER DRAWING NUMBER:	 46177 WARM SPRINGS BLVD FREMONT CA 94539			
	DRAWN BY: Long	08/23/07	---	CUSTOMER PART NUMBER:	NAME: HEAT SINK, 35X35X35		
	CHECKED BY: tceman.C	08/23/07	---	COFAN DRAWING NUMBER:	SCALE:	CUS REV:	COF REV:
	CHECKED BY:			20-3061	NONE	-	01
APPR BY:			COFAN PART NUMBER:	SHEET:	DATE DRAWN:		
			20-3061	1 OF 1	Aug-23-2007		

8 7 6 5 4 3 2 1

D

C

B

A

8 7 6 5 4 3 2 1