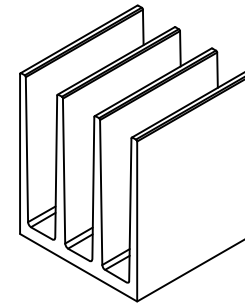
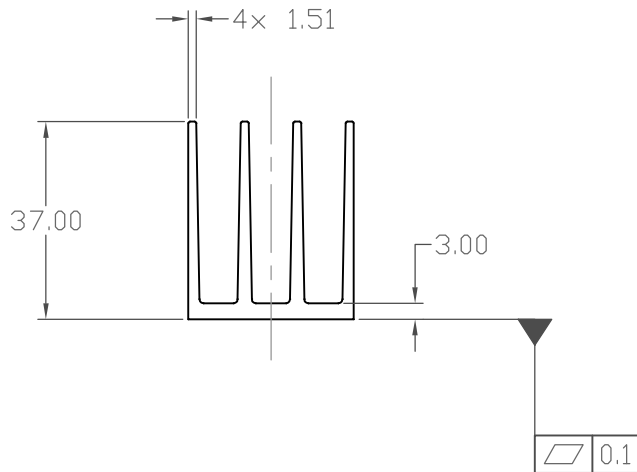
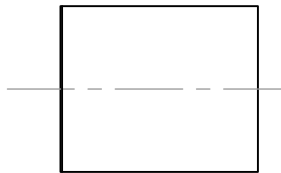
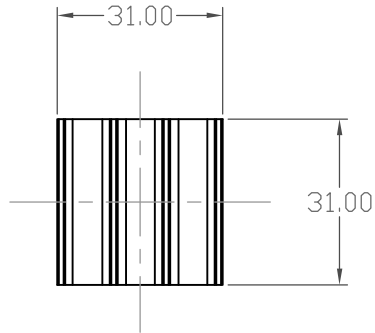


NOTICE - PROPRIETARY INFORMATION  
 THE DESIGN AND RELATED INFORMATION CONTAINED HEREIN  
 IS THE SOLE PROPERTY OF COFAN USA INC. THE DISCLOSURE  
 OF THIS INFORMATION DOES NOT CONSTITUTE THE RELEASE OF  
 ANY PROPRIETARY RIGHTS THEREIN. PERMISSION TO REPRODUCE  
 THIS INFORMATION OR THE PRODUCTS DISCLOSED HEREIN  
 MUST BE OBTAINED IN WRITING FROM COFAN USA INC.

REVISION HISTORY					
REV	DESCRIPTION	DRWN	CHK'D	APP'VD	DATE

- NOTES:
- 1 MATERIAL: AL 6063-T5.
  - 2 FINISH: BLACK ANODIZE.
  3. REMOVE ALL SHARP EDGES AND BURRS.
  4.  $\triangle$  IS CRITICAL INSPECTION POINT. NUMBERING IN TRIANGLE IS TO BE USED FOR CROSS REFERENCE OF INSPECTION REPORT TO DRAWING DIMENSION OR FEATURE.
  5. PART GROSS WEIGHT: 30.3g/PCS.



RoHS  
 Compliant  
 2002/95/EC

<b>DO NOT SCALE DRAWING</b> <small>UNLESS OTHERWISE SPECIFIED          DIMENSIONS ARE IN MILLIMETRE          TOLERANCES ARE:</small> 1 PLACE .X $\pm 0.2$ 2 PLACE .XX $\pm 0.13$ 3 PLACE .XXX $\pm 0.07$ <small>ANGLES EXCEPT 90° <math>\pm 0.5^\circ</math></small> <small>MAXIMUM SURFACE ROUGHNESS <math>6.3 \sqrt{\quad}</math></small>	NAME:	DATE:	CUSTOMER DRAWING NUMBER:			
	DRAWN BY:	LONG	Sep-05-07	CUSTOMER PART NUMBER:		
	CHECKED BY:	IVAN	Oct-1-10	NAME: HEAT SINK, 31x31x37 MM		
	CHECKED BY:			CDFAN DRAWING NUMBER: 20-3071	SCALE: 1:1	CUS REV: 00
APPR BY:			CDFAN PART NUMBER: 20-3071	SHEET: 1 OF 1		DATE DRAWN: Sep-05-2007

**COFAN USA**  
 46177 Warm Springs Blvd, Fremont, CA 94539