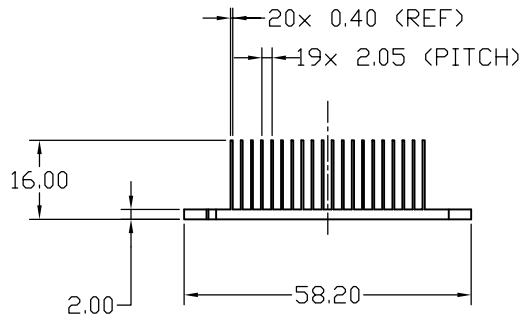
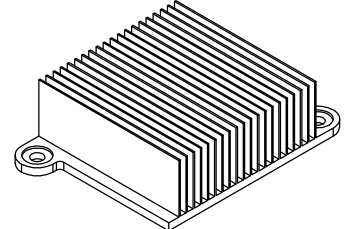
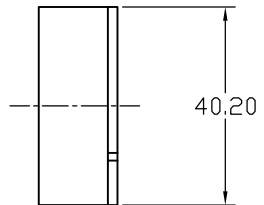
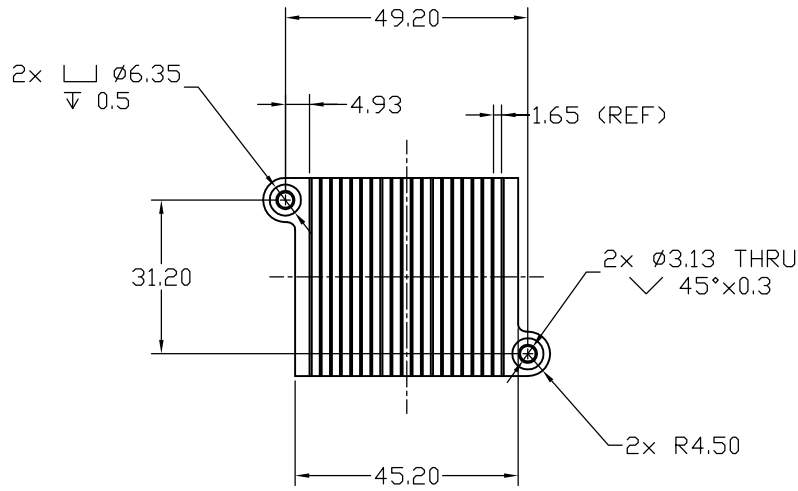


NOTICE - PROPRIETARY INFORMATION
 THE DESIGN AND RELATED INFORMATION CONTAINED HEREIN
 IS THE SOLE PROPERTY OF COFAN USA INC. THE DISCLOSURE
 OF THIS INFORMATION DOES NOT CONSTITUTE THE RELEASE OF
 ANY PROPRIETARY RIGHTS THEREIN. PERMISSION TO REPRODUCE
 THIS INFORMATION OR THE PRODUCTS DISCLOSED HEREIN
 MUST BE OBTAINED IN WRITING FROM COFAN USA INC.

REVISION HISTORY					
REV	DESCRIPTION	DRWN	CHK'D	APPVD	DATE
01	INITIAL RELEASE	Long	IVANC	—	Sep-14-07
02	CHANGE THE RIGHT ANGLE TO R1.59MM.	Long	IVANC	—	Dec-19-07

- NOTES:
 1. MATERIAL: AL 6061-T6.
 2. FINISH: CLEAR CHROMATE (ROHS COMPLIANT) .
 3. REMOVE ALL SHARP EDGES AND BURRS.
 4. ⚠ IS CRITICAL INSPECTION POINT. NUMBERING IN TRIANGLES IS TO BE USED FOR CROSS REFERENCE OF INSPECTION REPORT TO DRAWING DIMENSION OR FEATURE.
 5. GROSS WEIGHE :27.76G/PCS



RoHS
 Compliant
 2002/95/EC

DO NOT SCALE DRAWING UNLESS OTHERWISE SPECIFIED DIMENSIONS ARE IN MILLIMETRE TOLERANCES ARE: 1 PLACE .X ± 0.35 2 PLACE .XX ± 0.2 3 PLACE .XXX ± 0.13 ANGLES EXCEPT 90° ± 0.5° MAXIMUM SURFACE ROUGHNESS 64√	NAME:	DATE:	CUSTOMER DRAWING NUMBER:	 46177 WARM SPRING BLVD FRENONT CA 94539			
	DRAWN BY: Long	Dec-19-07	019-01878-0000	CUSTOMER PART NUMBER:	NAME: HEAT SINK		
	CHECKED BY: IVANC	1-14-11	019-01878-0000	COFAN DRAWING NUMBER:	SCALE: 1:1	CUS REV: A	COF REV: 02
	CHECKED BY:		20-3085	COFAN PART NUMBER:	SHEET: 1 OF 1	DATE DRAWN: Dec-19-2007	
APPR BY:			20-3085				