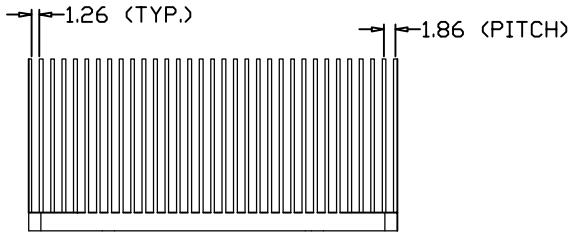
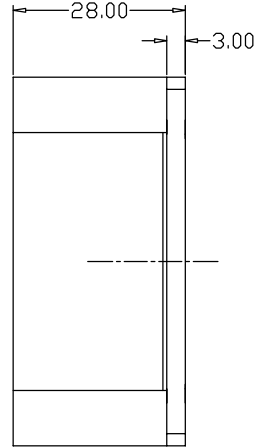
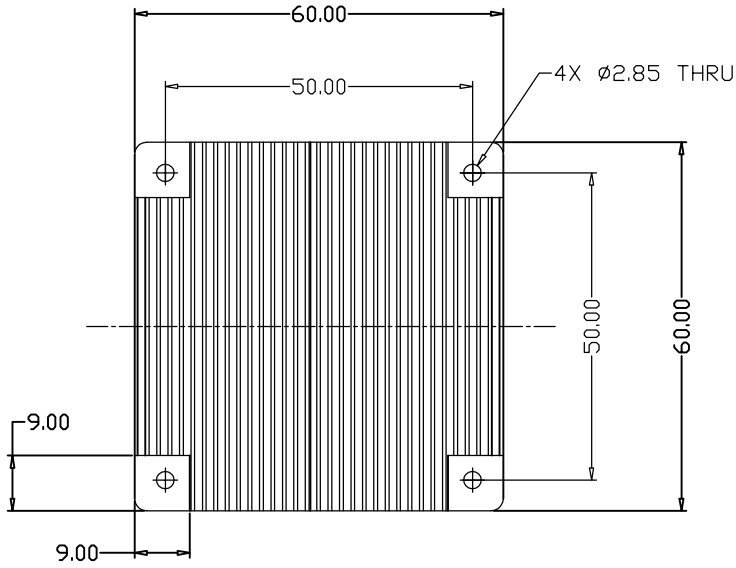
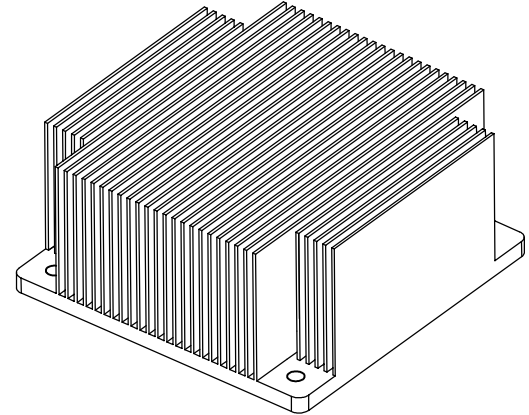


NOTICE - PROPRIETARY INFORMATION
 THE DESIGN AND RELATED INFORMATION CONTAINED HEREIN
 IS THE SOLE PROPERTY OF COFAN USA INC. THE DISCLOSURE
 OF THIS INFORMATION DOES NOT CONSTITUTE THE RELEASE OF
 ANY PROPRIETARY RIGHTS THEREIN. PERMISSION TO REPRODUCE
 THIS INFORMATION OR THE PRODUCTS DISCLOSED HEREIN
 MUST BE OBTAINED IN WRITING FROM COFAN USA INC.

REVISION HISTORY					
REV	DESCRIPTION	DRWN	CHK'D	APPVD	DATE
-	-	-	----	----	-

- NOTES:
1. MATERIAL: CUII00, SKIVE FIN.
 2. FINISH: ANTI-OXIDATION
 3. DEBURR AND BREAK ALL SHARP EDGES..
 4. Δ IS CRITICAL INSPECTION POINT. NUMBERING IN TRIANGLES TO BE USED FOR CROSS REFERENCE OF INSPECTION REPORT TO DRAWING DIMENSION OR FEATURE.
 5. PART WEIGHT: 92G/PCS



ROHS
 COMPLIANT
 2002/95/EC

DO NOT SCALE DRAWING		NAME:	DATE:	CUSTOMER DRAWING NUMBER:	 <small>46177 WARM SPRINGS BLVD FREMONT CA 94539</small>		
UNLESS OTHERWISE SPECIFIED DIMENSIONS ARE IN MILLIMETRE TOLERANCES ARE:		DRAWN BY:	KEVIN	12-21-10	CUSTOMER PART NUMBER:	NAME: HEAT SINK, CU, 33 FINS, SKIVE	
1 PLACE .X	± 0.4	CHECKED BY:	IVAN.C	12-22-10	----	----	
2 PLACE .XX	± 0.25	CHECKED BY:			COFAN DRAWING NUMBER:	SCALE:	CUS REV:
3 PLACE .XXX	± 0.13	APPR BY:			20-4167	NONE	--
ANGLES EXCEPT 90°	± 0.5°				COFAN PART NUMBER:	SHEET:	DATE DRAWN:
MAXIMUM SURFACE ROUGHNESS	3.2 \sqrt				20-4167	1 OF 1	Dec-21-10