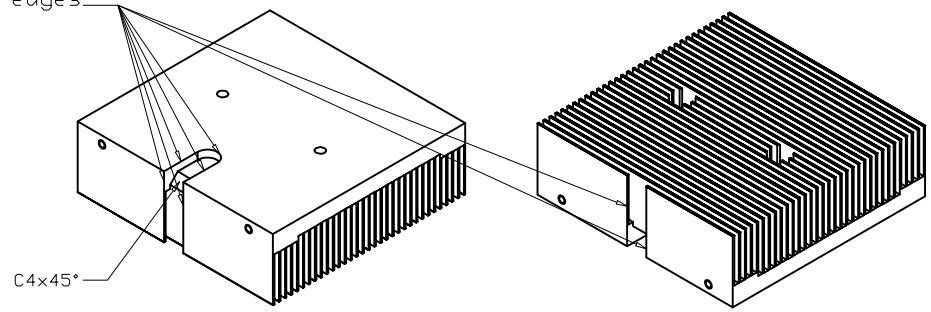


**NOTICE - PROPRIETARY INFORMATION**  
 THE DESIGN AND RELATED INFORMATION CONTAINED HEREIN IS THE SOLE PROPERTY OF COFAN USA INC. THE DISCLOSURE OF THIS INFORMATION DOES NOT CONSTITUTE THE RELEASE OF ANY PROPRIETARY RIGHTS THEREIN. PERMISSION TO REPRODUCE THIS INFORMATION OR THE PRODUCTS DISCLOSED HEREIN MUST BE OBTAINED IN WRITING FROM COFAN USA INC.

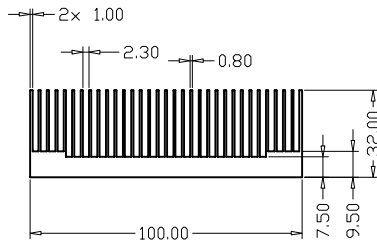
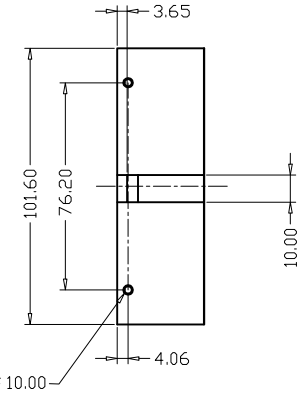
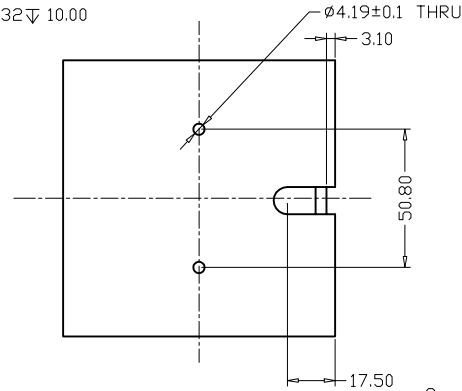
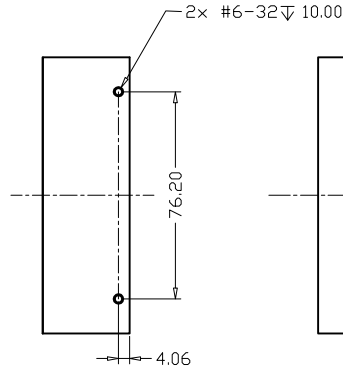
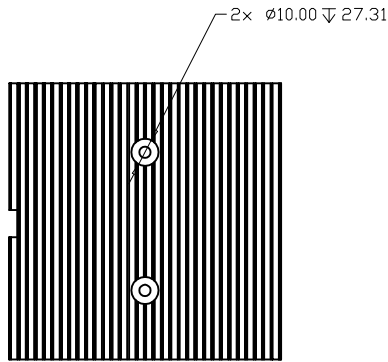
**NOTES:**


1. MATERIAL: AL6063-T5
2. FINISH: DEGREASE
3. DEBURR AND BREAK ALL SHARP EDGES..
4.  $\triangle$  IS CRITICAL INSPECTION POINT. NUMBERING IN TRIANGLE IS TO BE USED FOR CROSS REFERENCE OF INSPECTION REPORT TO DRAWING DIMENSION OR FEATURE.
5. ALL DIMENSIONS TO INCLUDE APPLICABLE FINISH.
6. PART GROSS WEIGHT: 389 g/Pcs.
7. EXTRUSION SAME 20-4556.

Remove all sharp edges  
 C0.2-0.3MM



REVISION HISTORY					
REV	DESCRIPTION	DRWN	CHK'D	APPVD	DATE
02	added machine slot	Ajje	-	-	05/07/10



<b>DO NOT SCALE DRAWING</b> UNLESS OTHERWISE SPECIFIED DIMENSIONS ARE IN MILLIMETRE TOLERANCES ARE: 1 PLACE .X ± 0.4 2 PLACE .XX ± 0.25 3 PLACE .XXX ± 0.12 ANGLES EXCEPT 90° ± 0.5° MAXIMUM SURFACE ROUGHNESS 6.3	NAME:	DATE:	CUSTOMER PART NUMBER:	 46177 VARN SPRING BLVD FREMONT CA 94539			
	DRAWN BY:	Ajje	5/11/10				----
	CHECKED BY:	Ivan	3/24/11	COFAN USA PART NUMBER:	NAME:	HEAT SINK	
	CHECKED BY:			20-4555	SCALE:	CUS REV:	COF REV:
	APPR BY:			COFAN DRAWING NUMBER:	1:1	--	02
				COFAN PART NUMBER:	SHEET:	DATE DRAWN:	
				--	1 OF 1	May-11-2010	

RoHS  
 COMPLIANT  
 2002/95/EC