

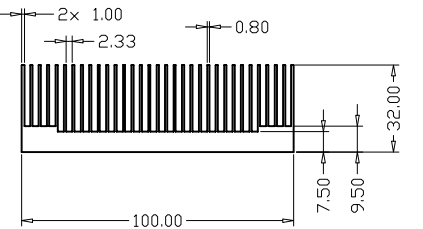
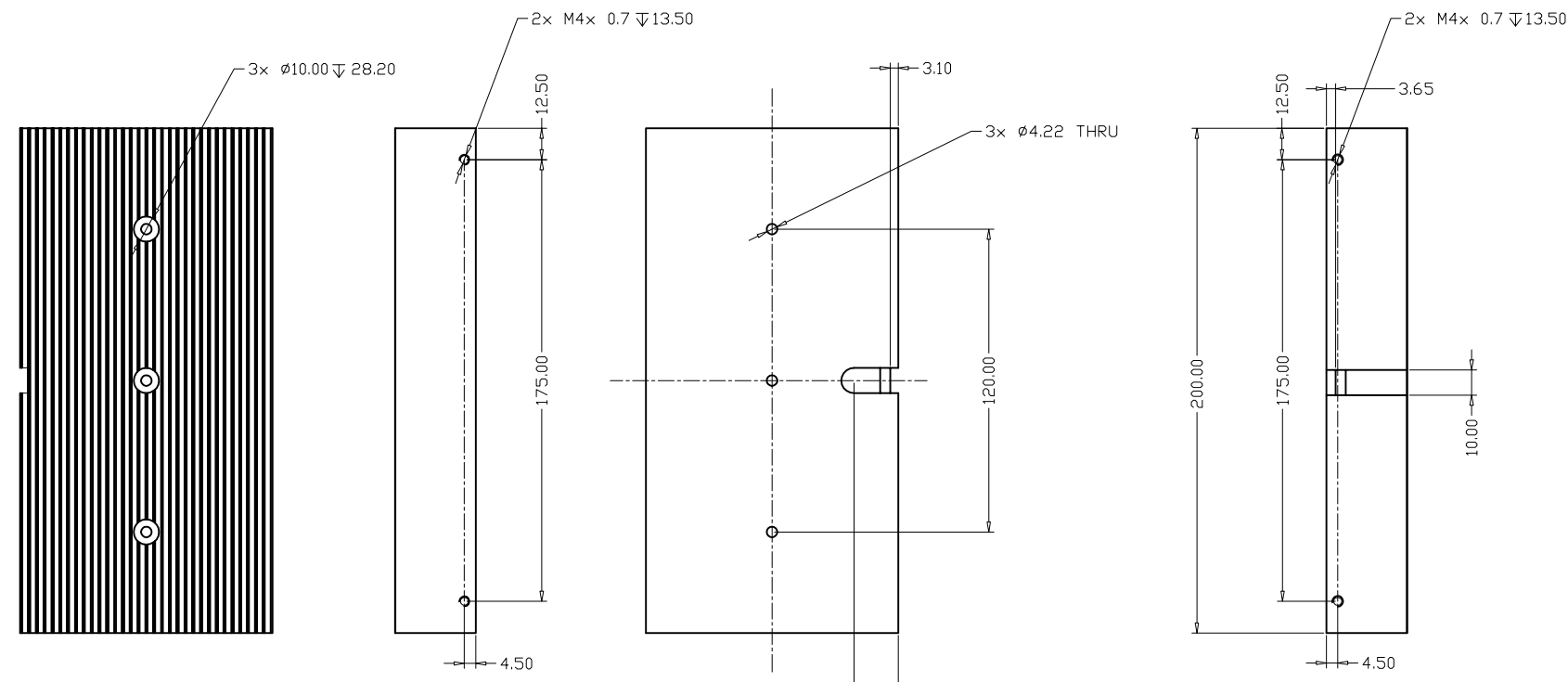
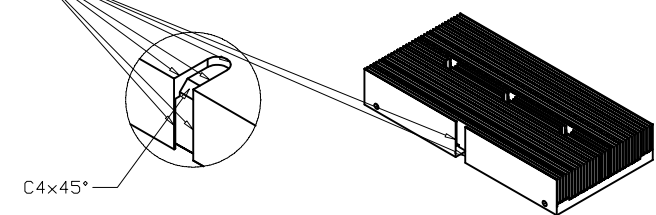
NOTICE - PROPRIETARY INFORMATION
 THE DESIGN AND RELATED INFORMATION CONTAINED HEREIN IS THE SOLE PROPERTY OF COFAN USA INC. THE DISCLOSURE OF THIS INFORMATION DOES NOT CONSTITUTE THE RELEASE OF ANY PROPRIETARY RIGHTS THEREIN. PERMISSION TO REPRODUCE THIS INFORMATION OR THE PRODUCTS DISCLOSED HEREIN MUST BE OBTAINED IN WRITING FROM COFAN USA INC.

NOTES:

1. MATERIAL: AL6063-T5
2. FINISH: DEGREASE
3. DEBURR AND BREAK ALL SHARP EDGES..
4. \triangle IS CRITICAL INSPECTION POINT. NUMBERING IN TRIANGLE IS TO BE USED FOR CROSS REFERENCE OF INSPECTION REPORT TO DRAWING DIMENSION OR FEATURE.
5. ALL DIMENSIONS TO INCLUDE APPLICABLE FINISH.
6. PART GROSS WEIGHT: 828 g/Pcs.

REVISION HISTORY					
REV	DESCRIPTION	DRWN	CHK'D	APPVD	DATE
02	added machine slot	Ajje	-	-	05/07/10

Remove all sharp edges
 C0.2-0.3MM



DO NOT SCALE DRAWING UNLESS OTHERWISE SPECIFIED DIMENSIONS ARE IN MILLIMETRE TOLERANCES ARE: 1 PLACE .X ± 0.4 2 PLACE .XX ± 0.25 3 PLACE .XXX ± 0.12 ANGLES EXCEPT 90° ± 0.5° MAXIMUM SURFACE ROUGHNESS 6.3	NAME:	DATE:	CUSTOMER PART NUMBER:		
	DRAWN BY: Ajje	5/11/10	----		
	CHECKED BY: Ivan	3/24/11	COFAN USA PART NUMBER: 20-4556		
	CHECKED BY:		NAME: HEAT SINK		
APPR BY:			SCALE: 1:1	CUS REV: --	COF REV: 02
			COFAN DRAWING NUMBER:		DATE DRAWN: May-11-2010
			COFAN PART NUMBER: --		SHEET: 1 OF 1

RoHS
 COMPLIANT
 2002/95/EC