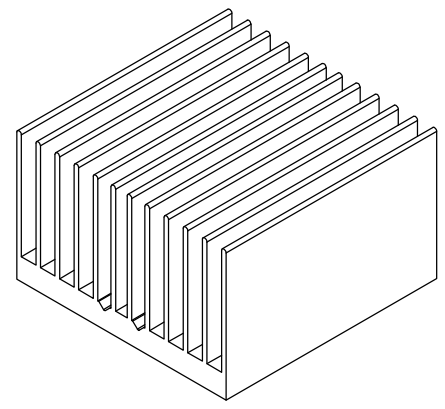
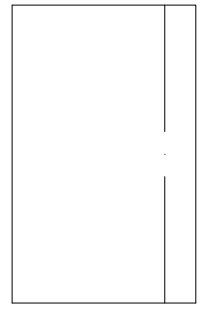
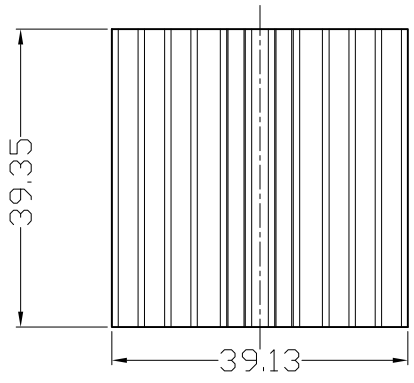


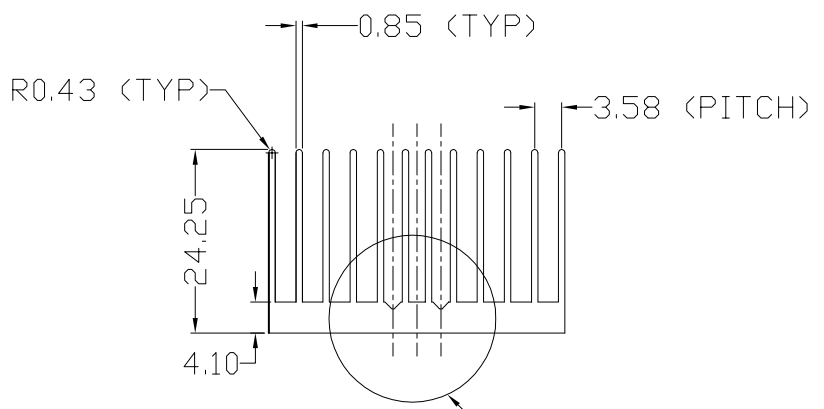
NOTICE - PROPRIETARY INFORMATION
 THE DESIGN AND RELATED INFORMATION CONTAINED HEREIN
 IS THE SOLE PROPERTY OF COFAN USA, INC. THE DISCLOSURE
 OF THIS INFORMATION DOES NOT CONSTITUTE THE RELEASE OF
 ANY PROPRIETARY RIGHTS THEREIN. PERMISSION TO REPRODUCE
 THIS INFORMATION OR THE PRODUCTS DISCLOSED HEREIN
 MUST BE OBTAINED IN WRITING FROM COFAN USA, INC.

REVISION HISTORY					
REV	DESCRIPTION	DRWN	CHK'D	APPVD	DATE
-	-	-	-	-	-

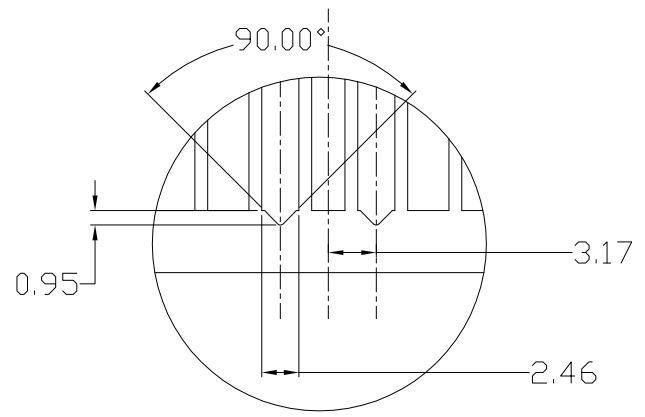
- NOTES:
1. MATERIAL: AL 6063-T5
 2. FINISH: BLACK ANODIZED
 3. DEBURR AND BREAK ALL SHARP EDGES..
 4. \triangle IS CRITICAL INSPECTION POINT. NUMBERING IN TRIANGLE IS TO BE USED FOR CROSS REFERENCE OF INSPECTION REPORT TO DRAWING DIMENSION OR FEATURE.
 5. ALL DIMENSIONS TO INCLUDE APPLICABLE FINISH.
 6. PART GROSS WEIGHT: 39 g/pcs.



ISOMETRIC VIEW



SEE DETIAL A



DETAIL A
 SCALE: 2:1

RoHS
 COMPLIANT
 2002/95/EC

DO NOT SCALE DRAWING UNLESS OTHERWISE SPECIFIED DIMENSIONS ARE IN MILLIMETRE TOLERANCES ARE: 1 PLACE .X ± 0.10 2 PLACE .XX ± 0.25 3 PLACE .XXX ± 0.05 ANGLES EXCEPT 90° ± 1° MAXIMUM SURFACE ROUGHNESS 3.2 \sqrt	MATERIAL:	CUSTOMER PART NUMBER:	 46177 WARM SPRINGS BLVD. FREMONT CA 94539		
	See Note	Ve-00522	NAME:	HEAT SINK	
	DRAWN BY:	Kevin	COFAN_USA PART NUMBER:	SCALE:	CUS REV:
	20-4904	1:1	--	COF REV:	01
CHECKED BY:	Ajje	NEW COFAN PART NUMBER:	UNIT:	SHEET:	DATE DRAWN:
----	----	----	mm	1 OF 1	Nov-16-2010
APPR BY:	Mike				