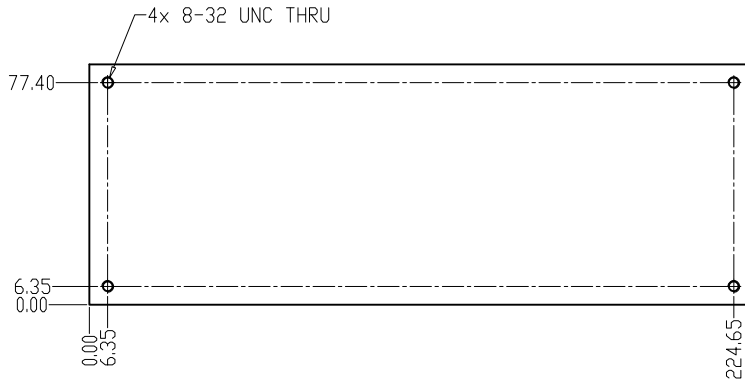
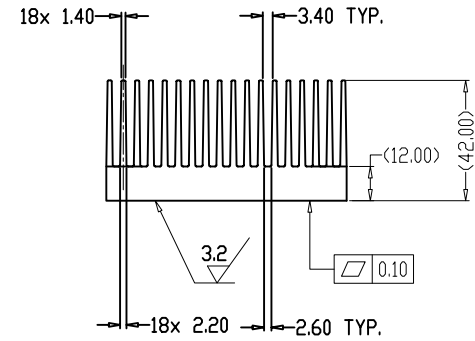
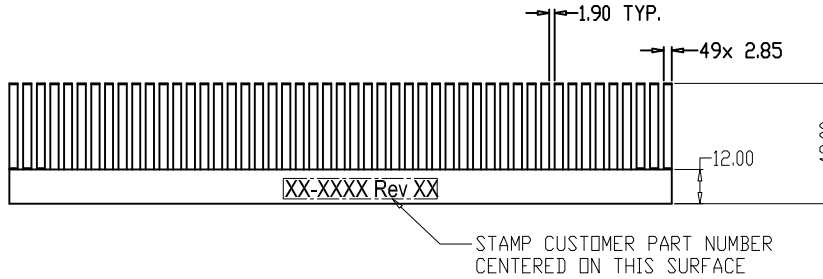
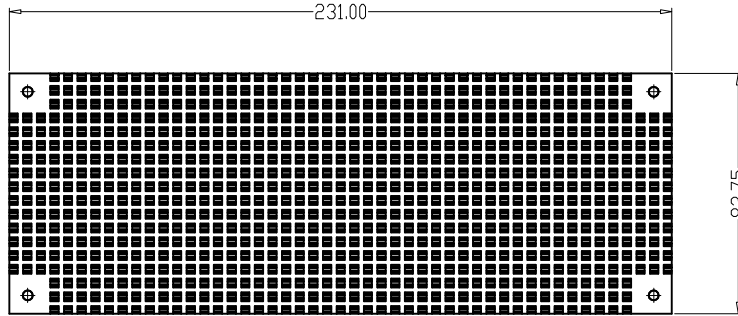
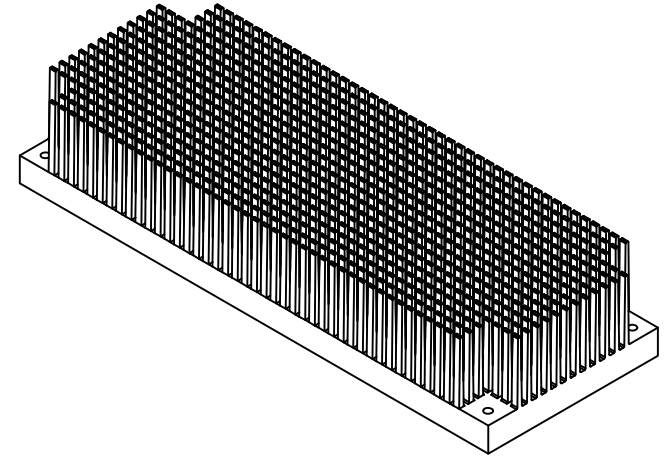


NOTICE - PROPRIETARY INFORMATION
 THE DESIGN AND RELATED INFORMATION CONTAINED HEREIN IS THE SOLE PROPERTY OF COFAN USA INC. THE DISCLOSURE OF THIS INFORMATION DOES NOT CONSTITUTE THE RELEASE OF ANY PROPRIETARY RIGHTS THEREIN. PERMISSION TO REPRODUCE THIS INFORMATION OR THE PRODUCTS DISCLOSED HEREIN MUST BE OBTAINED IN WRITING FROM COFAN USA INC.

REVISION HISTORY					
REV	DESCRIPTION	DRWN	CHK'D	APPVD	DATE
--	--	--	----	----	--

NOTES:

1. MATERIAL: AL6063-T5.
2. FINISH: BLACK ANODIZE.
3. DEBURR AND BREAK ALL SHARP EDGES..
4. \triangle IS CRITICAL INSPECTION POINT. NUMBERING IN TRIANGLE IS TO BE USED FOR CROSS REFERENCE OF INSPECTION REPORT TO DRAWING DIMENSION OR FEATURE.
5. PART WEIGHT: 0.997KG/PCS.



THERMAL RESISTANCE: .05C/W (WITH IMPINGEMENT COOLING USING COFAN MODEL F-8038TH12B)

RoHS
 COMPLIANT
 2002/95/EC

DO NOT SCALE DRAWING		NAME:	DATE:	CUSTOMER DRAWING NUMBER:	 <small>46177 WARM SPRINGS BLVD FREMONT CA 94539</small>		
UNLESS OTHERWISE SPECIFIED DIMENSIONS ARE IN MILLIMETRE TOLERANCES ARE:		DRAWN BY:	Jun.W	07/25/08	CUSTOMER PART NUMBER:	NAME: .05C/W LASER HEAT SINK	
1 PLACE .X	± 0.4	CHECKED BY:			CDFAN DRAWING NUMBER:	SCALE:	CUS REV:
2 PLACE .XX	± 0.25	CHECKED BY:			20-4125	NONE	01
3 PLACE .XXX	± 0.13	APPR BY:			CDFAN PART NUMBER:	SHEET:	DATE DRAWN:
ANGLES EXCEPT 90°	± 0.5°				20-4125	1 OF 1	Aug-14-2008
MAXIMUM SURFACE ROUGHNESS	3.2						