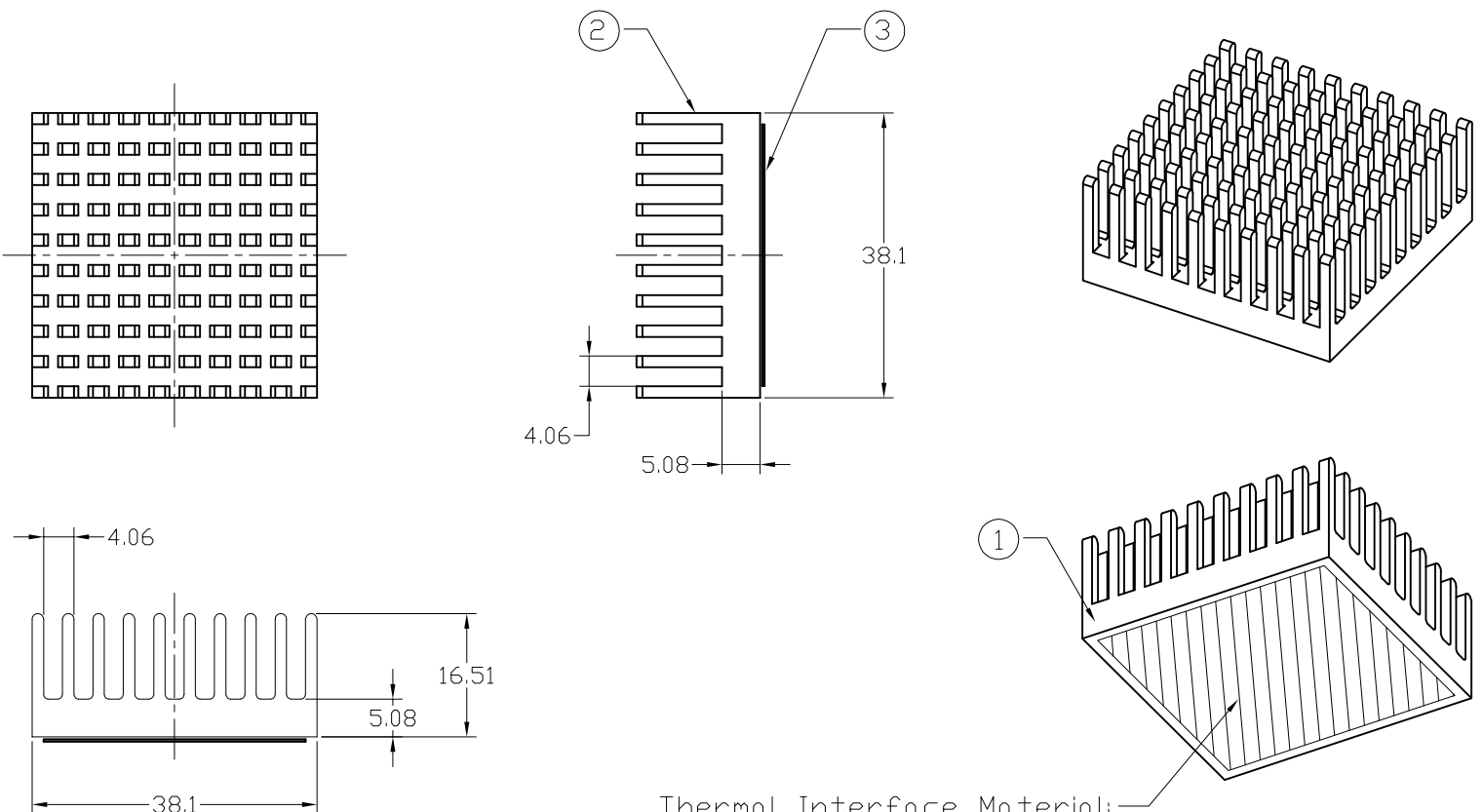


NOTICE - PROPRIETARY INFORMATION
 THE DESIGN AND RELATED INFORMATION CONTAINED HEREIN
 IS THE SOLE PROPERTY OF COFAN INC. THE DISCLOSURE
 OF THIS INFORMATION DOES NOT CONSTITUTE THE RELEASE OF
 ANY PROPRIETARY RIGHTS THEREIN. PERMISSION TO REPRODUCE
 THIS INFORMATION OR THE PRODUCTS DISCLOSED HEREIN
 MUST BE OBTAINED IN WRITING FROM COFAN INC.

NOTES:

- 1 MATERIAL: AL 6063-T5,
- 2 FINISH: BLACK ANODIZED,
- 3 EXTRUSION SECTION AREA:366.64MM²
- 4 EXTRUSION WEIGHT: 1.0KGs/M;
- 5. HEAT SINK MOUNTING SURFACES FLATNESS 0.05/25.4mm.



Thermal Interface Material:
 Bondply 108 35 x 35mm

③	70-1007	Tape,Bondply 108:35x35mm	1PC
②	20-1050	Bare HeatSink	1PC
①	30-1029	20-1050 H/S with TAPE	1Set
No	P/N	Description	Qty

DO NOT SCALE DRAWING
 UNLESS OTHERWISE SPECIFIED
 DIMENSIONS ARE IN MILLIMETRE
 TOLERANCES ARE:
 1 PLACE .X ± 0.4
 2 PLACE .XX ± 0.25
 3 PLACE .XXX ± 0.13
 ANGLES EXCEPT 90° ± 0.5°
 MAXIMUM SURFACE ROUGHNESS 6.3

MATERIAL: 1	CUSTOMER DRAWING NUMBER: -	 <small>1400 FULTON PL. UNIT A FREMONT CA 94539</small>	
FINISH: 2	CUSTOMER PART NUMBER:	NAME: HEAT SINK + PAD, 38x38x16.5 MM	
DRAWN BY: B.GAO	COFAN DRAWING NUMBER: 30-1026	SCALE: 1:1	CUS REV: A CDF REV: A
APPR BY: IVAN.C	COFAN PART NUMBER: 30-1026	SHEET: 1 OF 1	DATE DRAWN: Sep-24-2005