
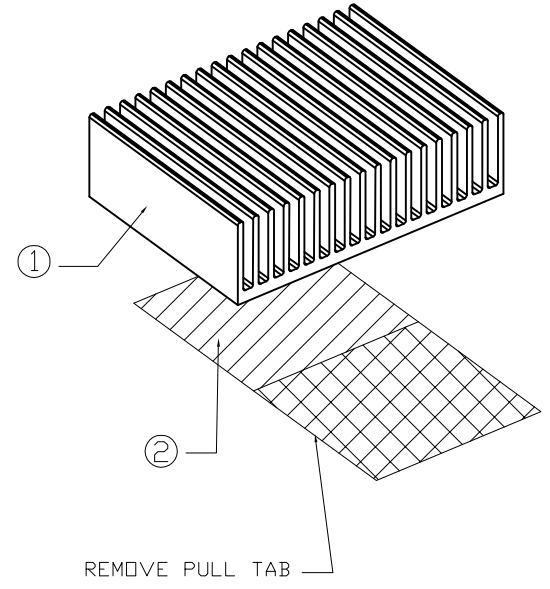
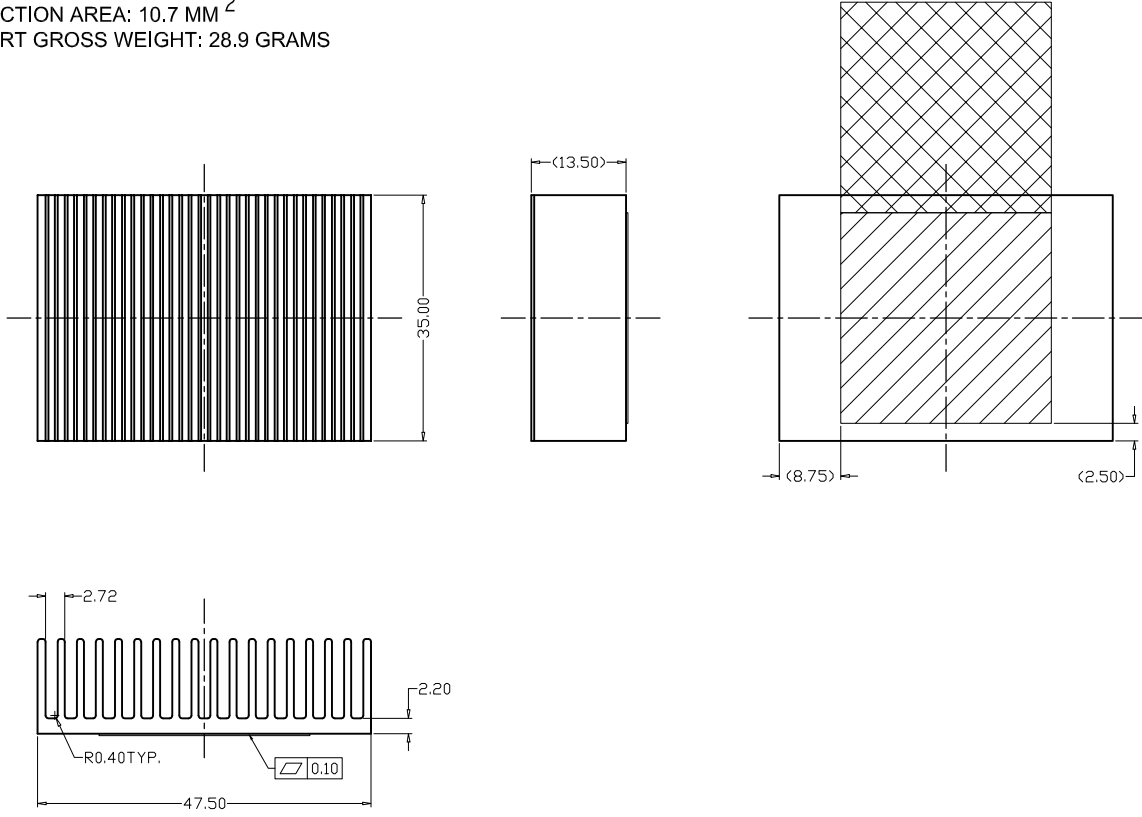


NOTICE - PROPRIETARY INFORMATION
 THE DESIGN AND RELATED INFORMATION CONTAINED HEREIN
 IS THE SOLE PROPERTY OF COFAN INC. THE DISCLOSURE
 OF THIS INFORMATION DOES NOT CONSTITUTE THE RELEASE OF
 ANY PROPRIETARY RIGHTS THEREIN. PERMISSION TO REPRODUCE
 THIS INFORMATION OR THE PRODUCTS DISCLOSED HEREIN
 MUST BE OBTAINED IN WRITING FROM COFAN INC.


REVISION HISTORY					
REV	DESCRIPTION	DRWN	CHK'D	APP'VD	DATE
---	---	---	---	---	---

NOTES:

- 1. MATERIAL: AL 6063-T5
- 2. FINISH: BLACK ANODIZED
- 3.  IS CRITICAL INSPECTION POINT NUMBERING IN TRIANGLE IS TO BE USED FOR CROSS REFERENCE OF INSPECTION REPORT TO DRAWING DIMENSION OR FEATURE
- 4. SECTION AREA: 10.7 MM²
- 5. PART GROSS WEIGHT: 28.9 GRAMS



ITEM	PART NUMBER	DESCRIPTION	QTY
②	70-1015	3M8815, 00 x 30 x 0.254mm	1
①	20-1098	HEAT SINK, 47.5 X 35.0 X 13.5mm	1

DO NOT SCALE DRAWING UNLESS OTHERWISE SPECIFIED DIMENSIONS ARE IN MILLIMETRE TOLERANCES ARE: 1 PLACE .X ± 0.4 2 PLACE .XX ± 0.25 3 PLACE .XXX ± 0.13 ANGLES EXCEPT 90° ± 1° MAXIMUM SURFACE ROUGHNESS 125 √	MATERIAL: ①	CUSTOMER DRAWING NUMBER: ---	 46177 Warn Springs Blvd., Fremont, CA 94539		
	FINISH: ②	CUSTOMER PART NUMBER: ---	NAME: HEAT SINK+PAD, 47.5x35x13.5 MM		
	DRAWN BY: AJIE	COFAN ASSY DWG NUMBER: 30-1041	SCALE: NONE	CUS REV: 01	COF REV: 02
	APPR BY: IVAN.C	COFAN ASSY PART NUMBER: 30-1041	SHEET: 1 DF 1	DATE DRAWN: APR-10-2006	