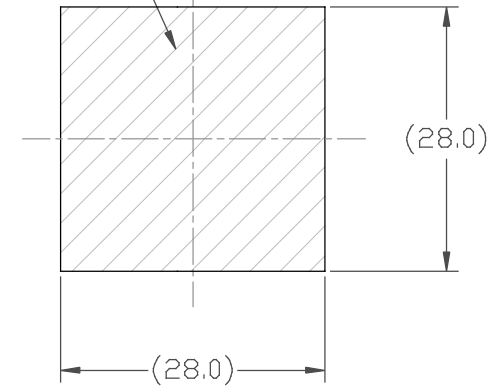
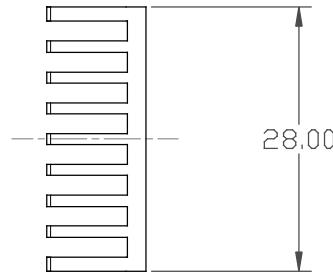
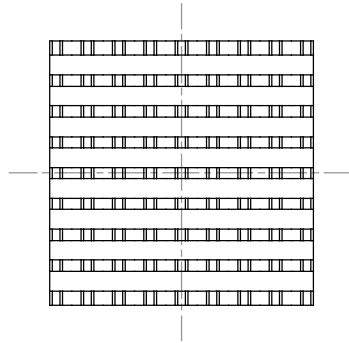
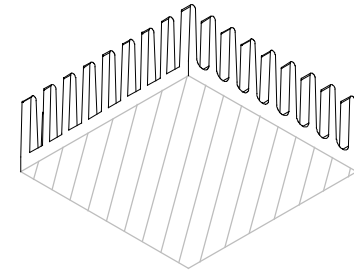
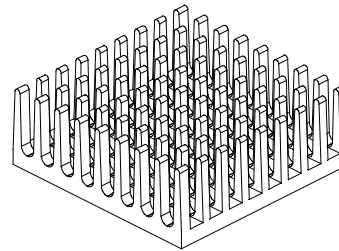
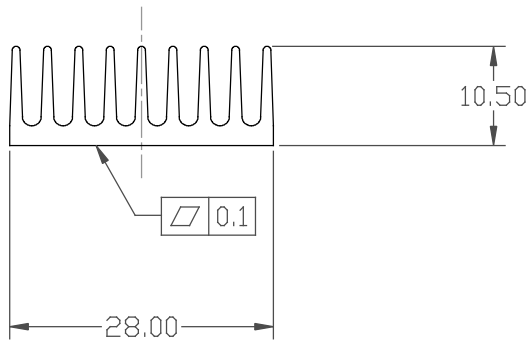


PAD T411
28.0x28.0mm



NOTE: 10.5mm Does not include T-411



Thermal Resistance
200 LFM: 4° C/W with T-411
0 LFM: 14.8° C/W with T-411

②	CHOMERICS T411 28X28mm	70-1023	01	
①	HEAT SINK	20-1042	01	
Item	Part Description	Part Number	REV	Q'ty
DO NOT SCALE DRAWING		DRAWING NUMBER: 30-1060	COFAN USA 46177 Warm Springs Blvd, Fremont, CA 94539	
UNLESS OTHERWISE SPECIFIED DIMENSIONS ARE IN MILLIMETRE TOLERANCES ARE:		MATERIAL: AL 6063-T5	HEAT SINK	
1 PLACE .X	± 0.4	FINISH: BLACK ANODIZED	PART NUMBER: 30-1060	REV: X04
2 PLACE .XX	± 0.25	DRAWN BY: DAN	SHEET:	DATE DRAWN: 03-25-2003
3 PLACE .XXX	± 0.13	ENGINEER:	SCALE: 1:1	
ANGLES EXCEPT 90°	± 1°			
MAXIMUM SURFACE ROUGHNESS	125√			