

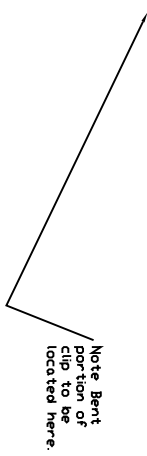
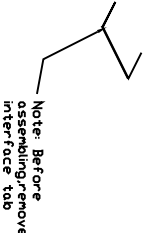
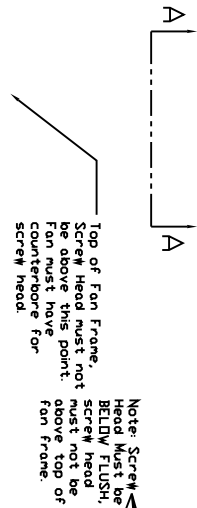
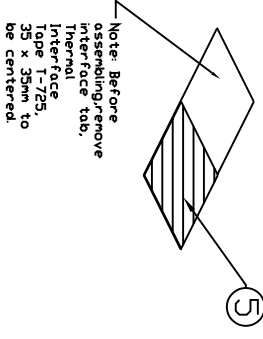
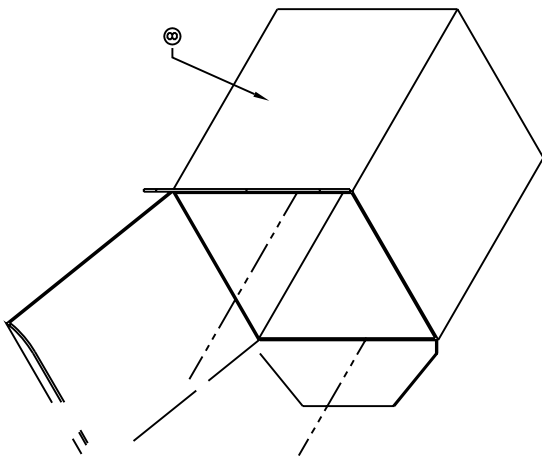


Approval Specification for Cofan Part # 100-567 Rev A

P3 CPU Cooler Heatsink Fan Combination, RoHS Compliant

Revision Date: Feb-23-06

Cofan USA, 1400 Fulton Place, Unit A Fremont, CA 94539 www.cofan-usa.com (800) 766-6097



7	Carton for 100-561	100-561-Carton	01	1
6	Box	100-561-Box	01	1
5	THERMAL INTERFACE	T7253535	01	1
			A	1
			01	1

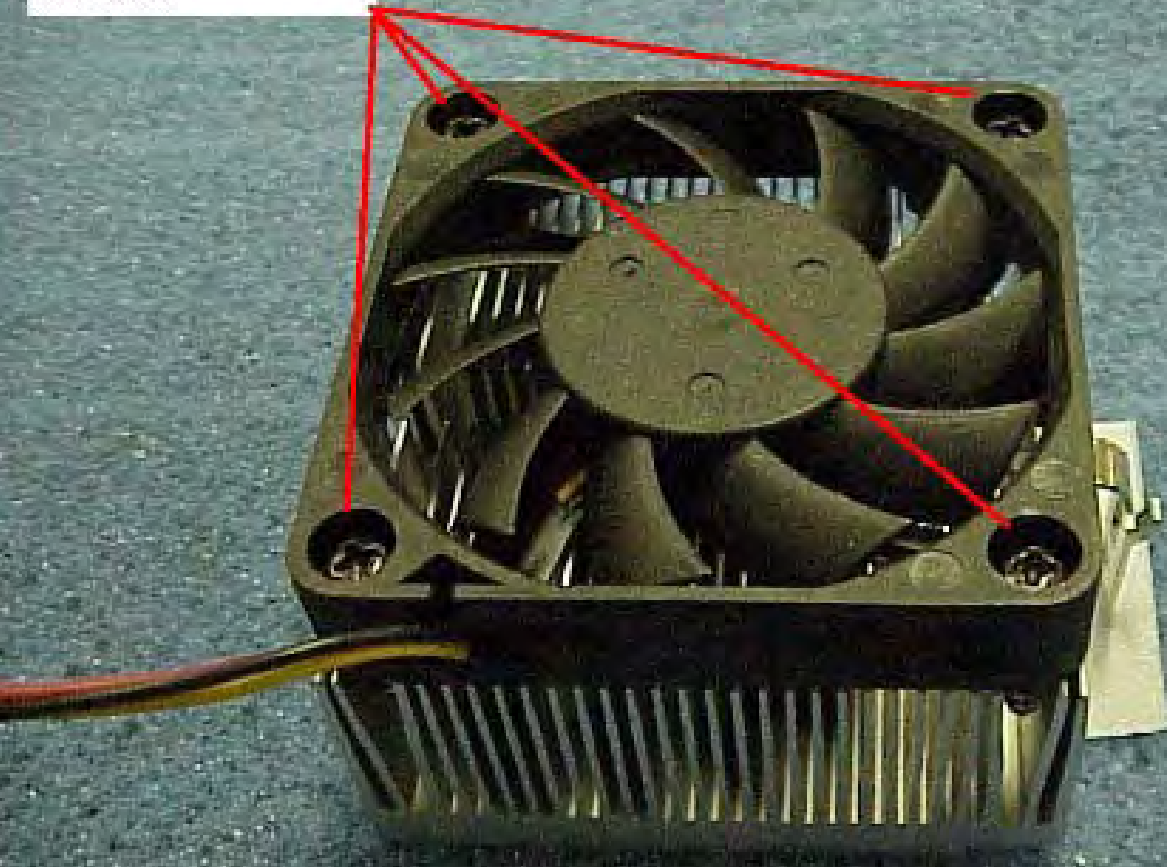
REV	DESCRIPTION	DEPN	CHK'D	APP'VD	DATE

REVISION HISTORY



A-A

Important - Fan must have counterbores so screws sit below flush.



Note: This fan and all parts associated with this fan (including packaging, housings, and pins) either does not contain any hazardous substances such as lead, mercury, or PCB's, or is below acceptable levels, and is in compliance with 2002/95/EC of the European Parliament and of the Council of 27th January, 2003, on the restriction on the use of certain hazardous substances in electrical and electronic equipment.

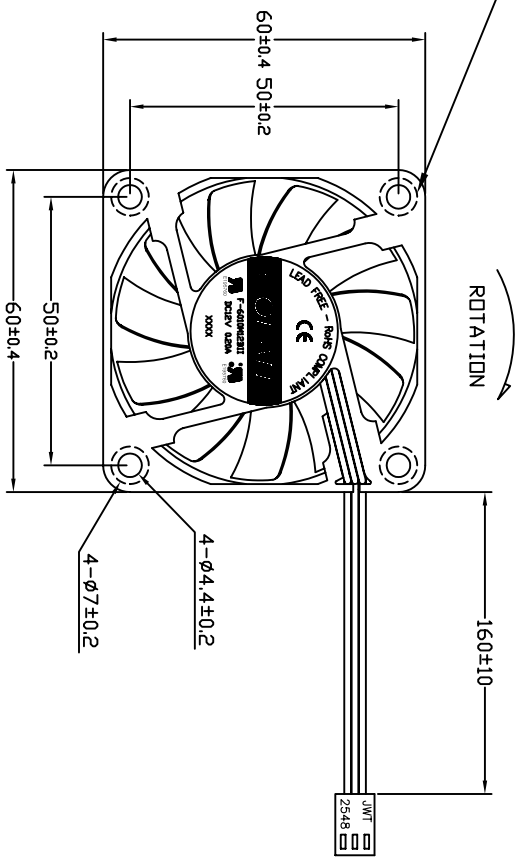
THIS DOCUMENT IS CONFIDENTIAL AND PROPRIETARY TO COFAN USA, FREMONT, CA

NOTE: THIS FAN IS TO BE ROHS COMPLIANT

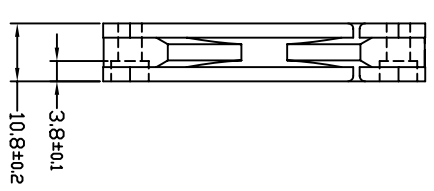
PARTS LIST

1	1X FAN, F-6010M12BII
2	1X MOLEX HOUSING 22-01-3037 DR EQUIV.
3	3X MOLEX TERMINAL 08-50-0113 DR EQUIV.

Fan Must Have Counterbore (4x)



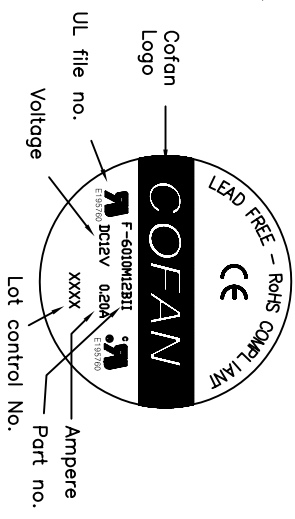
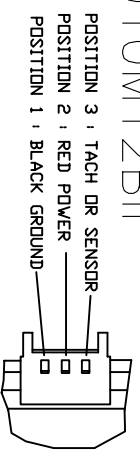
AIR FLOW



To place order use Cofan part # F-6010M12BII

- Notes:
- Fan must be 2 ball bearing
 - Fan label must be marked with part # F-6010M12BII
 - Fan must have 11 blades
 - Fan must have rotation detector (tachometer sensor)

UL# E195760
TUV# B 04 03 52557 03
CE# EN50081-1



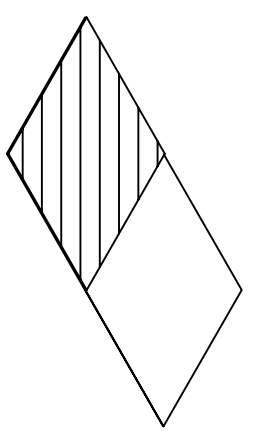
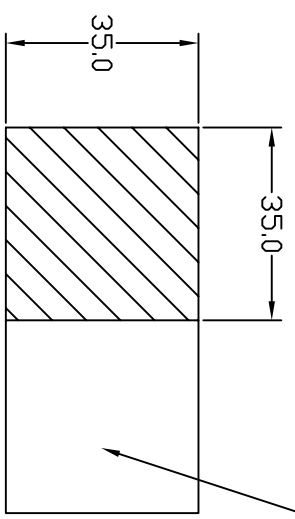
MODEL NO	RATED VOLTAGE V	OPERATING VOLTAGE V	RATED CURRENT A	ACTUAL CURRENT A	RATED POWER W	RATED SPEED RPM	MAX AIR FLOW		MAX PRESSURE		NOISE LEVEL DBA
F-6010M12BII	12	7-13.8	0.20	0.12	2.40	3600	CMH	CFM	mmH ₂ O	InH ₂ O	29.5
							0.446	15.76	2.55	0.101	

DD NOT SCALE DRAWING		DRAWING NUMBER: F-6010M12BII	
UNLESS OTHERWISE SPECIFIED DIMENSIONS ARE IN MILLIMETRE TOLERANCES ARE:		COFAN USA 1400 FILTON PLACE FREMONT CA 94539	
1 PLACE .X	± 0.4	FAN/50x10mm, 12Vdc 3600 RPM, w/Tach, Conn, 2 Ball Bearing, 100K Hrs MTBF, ROHS	
2 PLACE .XX	± 0.13	DRAWN BY: DAN	
3 PLACE .XXX	± 0.13	PART NUMBER: F-6010M12BII	
ANGLES EXCEPT 90°	± 1°	REVISION: A	
MAXIMUM SURFACE SMOOTHNESS	12.5	DATE DRAWN: Feb-23-06	
ENGINEER:		SCALE: 1:1	

NOTICE - PROPRIETARY INFORMATION CONTAINED HEREIN IS THE PROPERTY OF CHOMERICS CORPORATION. NO PART OF THIS INFORMATION IS TO BE REPRODUCED OR TRANSMITTED IN ANY FORM OR BY ANY MEANS, ELECTRONIC OR MECHANICAL, INCLUDING PHOTOCOPYING, RECORDING, OR BY ANY INFORMATION STORAGE AND RETRIEVAL SYSTEM, WITHOUT THE WRITTEN PERMISSION OF CHOMERICS CORPORATION. THIS INFORMATION OR THE PRODUCT'S DISCLOSED HEREIN MUST BE OBTAINED IN WRITING FROM CHOMERICS, INC.

Chomerics T-725 Thermal Interface Tape

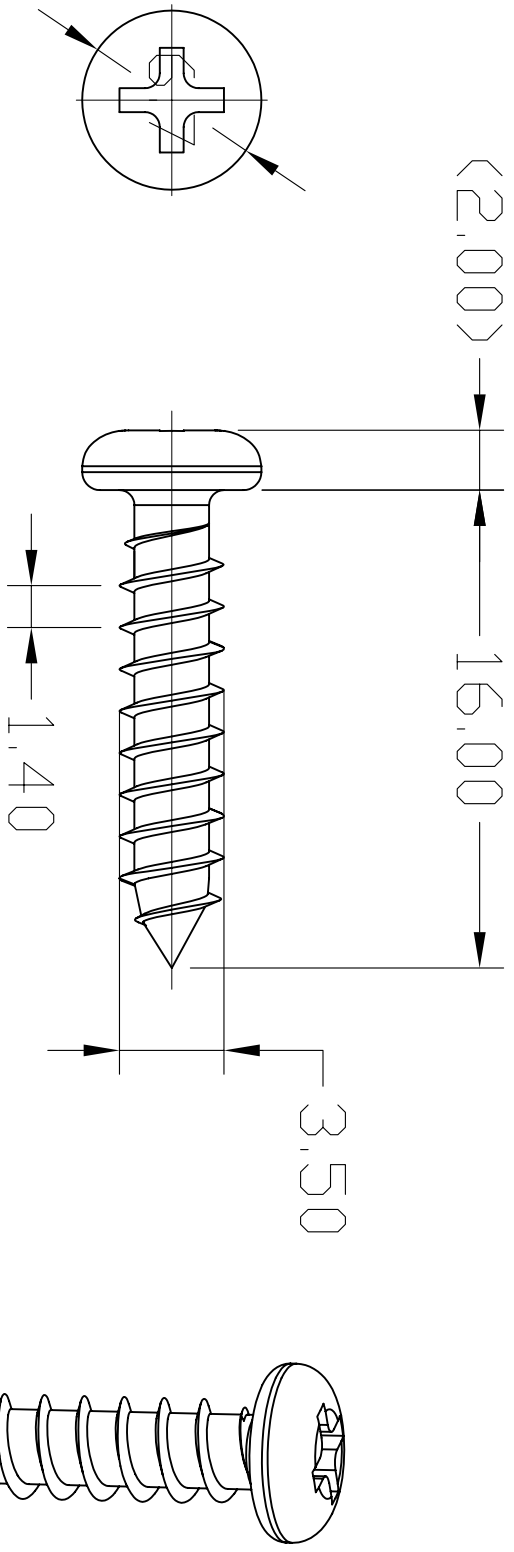
Note: Before assembling, remove interface tab



Note: This assembly does not contain any hazardous substances such as lead, mercury, or PCBs, or is below acceptable levels, and is in compliance with 2002/95/EC of the European Parliament and of the Council of 27th January, 2003, on the restriction on the use of certain hazardous substances in electrical and electronic equipment.

DID NOT SCALE DRAWING		MATERIAL:		CUSTOMER DRAWING NUMBER:		NAME:	
UNLESS OTHERWISE SPECIFIED DIMENSIONS ARE IN MILLIMETRE TOLERANCES ARE:		FINISH:		CUSTOMER PART NUMBER:		1400 FULTON PL. UNIT A FRENCH C0 94539	
1 PLACE .X	* 0.4	DRAWN BY: <i>Gene</i>		COFAN DRAWING NUMBER:		COFAN USA	
2 PLACE .XX	* 0.25	APPR BY:		T7253535		THERMAL PAD	
3 PLACE .XXX	* 0.13	COFAN PART NUMBER:		T7253535		SCALE: 1:1	
ANGLES EXCEPT 90° ± 1°		THERMAL PART NUMBER:		T7253535		CUS REV: -	
MAXIMUM SURFACE SMOOTHNESS 125 √		SHEET: 1 OF 1		DATE DRAWN: Sep-15-2004		CDF REV: 01	

NOTICE - PROPRIETARY INFORMATION
 THE DESIGN AND RELATED INFORMATION CONTAINED HEREIN IS THE SOLE PROPERTY OF COFAN, INC. . THE DISCLOSURE OF THIS INFORMATION DOES NOT CONSTITUTE THE RELEASE OF ANY PROPRIETARY RIGHTS THEREIN. PERMISSION TO REPRODUCE THIS INFORMATION OR THE PRODUCTS DISCLOSED HEREIN MUST BE OBTAINED IN WRITING FROM COFAN, INC.



REVISION HISTORY					
REV	DESCRIPTION	DRWN	CHK'D	APP'VD	DATE
---	SEE SHEET 1	---	---	---	---

Note: This assembly does not contain any hazardous substances such as lead, mercury, or PCB's, or is below acceptable levels, and is in compliance with 2002/95/EC of the European Parliament and of the Council of 27th January, 2003, on the restriction on the use of certain hazardous substances in electrical and electronic equipment.

DID NOT SCALE DRAWING		MATERIAL: STEEL		CUSTOMER DRAWING NUMBER: ---		NAME: COFAN USA 1500 FULTON BL. UNIT A FRESNO CA 96839	
UNLESS OTHERWISE SPECIFIED DIMENSIONS ARE IN MILLIMETERS		FINISH: BLACK ZINC		CUSTOMER PART NUMBER: ---		SCALE: 4:1	
1 PLACE .X		DRAWN BY: ZHENG		COFAN DRAWING NUMBER: F33516		REV: 01	
2 PLACE .XX		APPR BY:		COFAN PART NUMBER: F33516		DATE DRAWN: 01-19-2004	
3 PLACE .XXX						SHEET: 1 OF 1	
ANGLES EXCEPT 90°							
MAXIMUM ROUNDNESS							
125 V							

