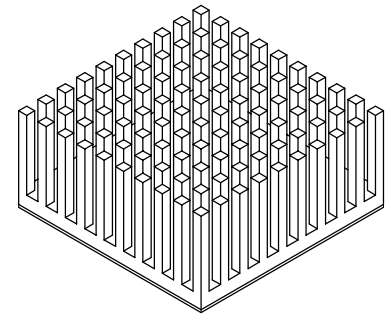
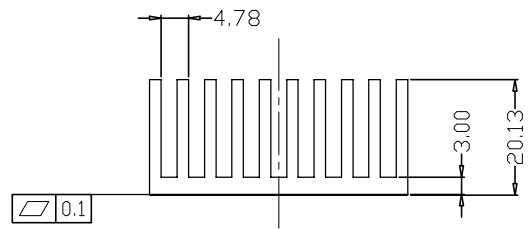
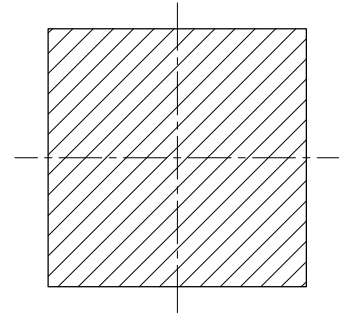
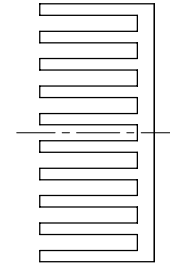
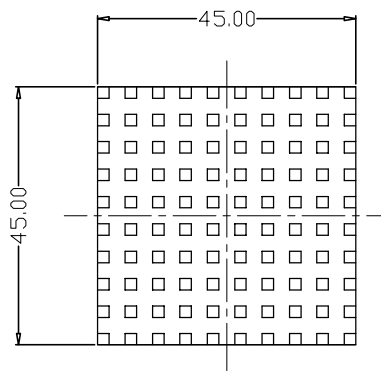
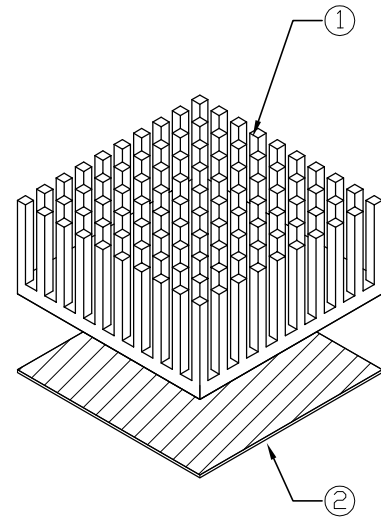


NOTICE - PROPRIETARY INFORMATION
 THE DESIGN AND RELATED INFORMATION CONTAINED HEREIN IS THE SOLE PROPERTY OF COFAN INC. THE DISCLOSURE OF THIS INFORMATION DOES NOT CONSTITUTE THE RELEASE OF ANY PROPRIETARY RIGHTS THEREIN. PERMISSION TO REPRODUCE THIS INFORMATION OR THE PRODUCTS DISCLOSED HEREIN MUST BE OBTAINED IN WRITING FROM COFAN INC.

REVISION HISTORY					
REV	DESCRIPTION	DRWN	CHK'D	APP'VD	DATE
—	— SEE SHEET 1 —	—	—	—	—

NOTES:
 1. THERMAL PAD SHOULD BE ALIGNED TO EDGES OF HEAT SINK.



RoHS
 Compliant
 2002/95/EC

②	THERMAL PAD	70-1054	Bergquist Bondply 105	N/A
①	HEAT SINK	20-1389	AL6063-T5	BLACK ANODIZE
Item	ITEM NAME	PART #	MATERIAL	PLATING

DO NOT SCALE DRAWING <small>UNLESS OTHERWISE SPECIFIED DIMENSIONS ARE IN MILLIMETRE TOLERANCES ARE:</small> 1 PLACE .X ± 0.4 2 PLACE .XX ± 0.25 3 PLACE .XXX ± 0.13 ANGLES EXCEPT 90° ± 0.5° MAXIMUM SURFACE ROUGHNESS 64√	MATERIAL:	N/A	CUSTOMER DRAWING NUMBER:	 <small>46177 Warn Springs Blvd, Fremont, CA 94539</small>		
	FINISH:	N/A	CUSTOMER PART NUMBER:	NAME: HEAT SINK + PAD, 45X45X20 MM		
	DRAWN BY:	Bob.G	COFAN DRAWING NUMBER:	30-1183	SCALE:	1:1
	APP'R BY:	IVAN.C	COFAN PART NUMBER:	30-1183	CUS REV:	--
				COF REV:	01	
				SHEET:	1 OF 1	
				DATE DRAWN:	Aug-26-2006	