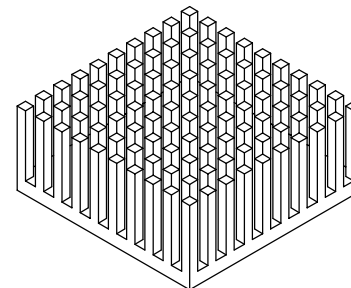
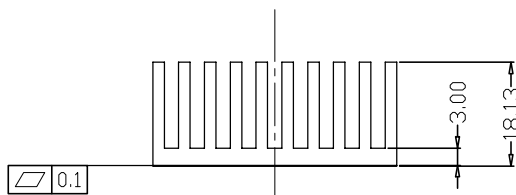
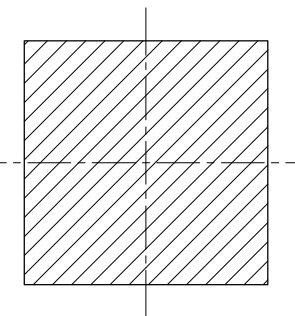
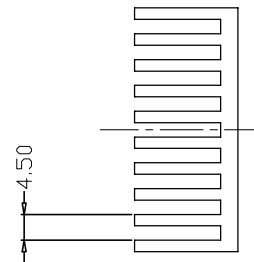
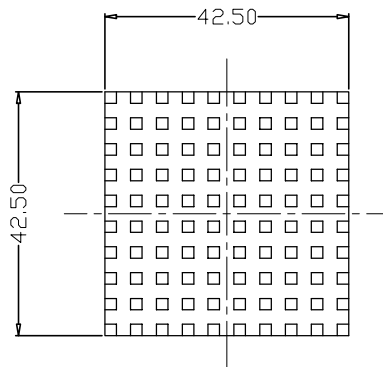
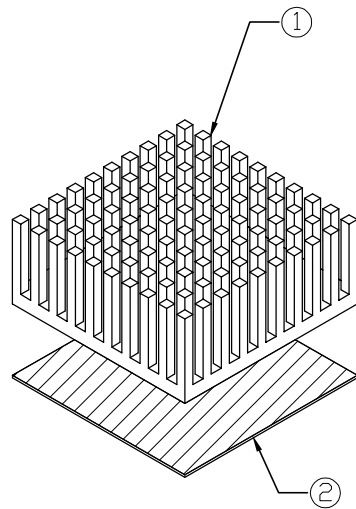


NOTICE - PROPRIETARY INFORMATION  
 THE DESIGN AND RELATED INFORMATION CONTAINED HEREIN IS THE SOLE PROPERTY OF COFAN INC. THE DISCLOSURE OF THIS INFORMATION DOES NOT CONSTITUTE THE RELEASE OF ANY PROPRIETARY RIGHTS THEREIN. PERMISSION TO REPRODUCE THIS INFORMATION OR THE PRODUCTS DISCLOSED HEREIN MUST BE OBTAINED IN WRITING FROM COFAN INC.

REVISION HISTORY					
REV	DESCRIPTION	DRWN	CHK'D	APP'VD	DATE
—	— SEE SHEET 1 —	—	—	—	—

NOTES:  
 1. THERMAL PAD SHOULD BE ALIGNED TO EDGES OF HEAT SINK.



RoHS  
 Compliant  
 2002/95/EC

②	THERMAL PAD	70-1054	Bergquist Bondply 105	N/A
①	HEAT SINK	20-3009	AL6063-T5	BLACK ANODIZE
Item	ITEM NAME	PART #	MATERIAL	PLATING

DO NOT SCALE DRAWING

UNLESS OTHERWISE SPECIFIED  
 DIMENSIONS ARE IN MILLIMETRE  
 TOLERANCES ARE:

1 PLACE .X	± 0.4
2 PLACE .XX	± 0.25
3 PLACE .XXX	± 0.13
ANGLES EXCEPT 90°	± 0.5°
MAXIMUM SURFACE ROUGHNESS	6.3√

MATERIAL:	N/A	CUSTOMER DRAWING NUMBER:	----	 46177 Warm Springs Blvd, Fremont, CA 94539					
FINISH:	N/A	CUSTOMER PART NUMBER:	----	NAME: HEAT SINK + PAD, 42.5X42.5X18 MM					
DRAWN BY:	Long	COFAN DRAWING NUMBER:	30-1214	SCALE:	1:1	CUS REV:	--	COF REV:	02
APPR BY:	IVANC	COFAN PART NUMBER:	30-1214	SHEET:	1 OF 1		DATE DRAWN:		Oct-27-2006