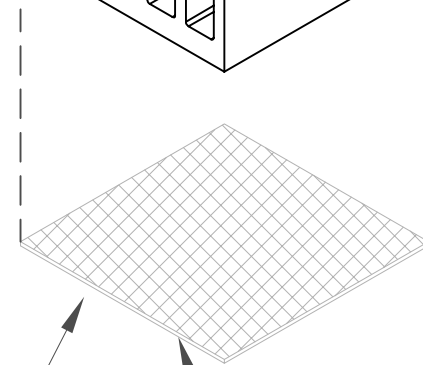
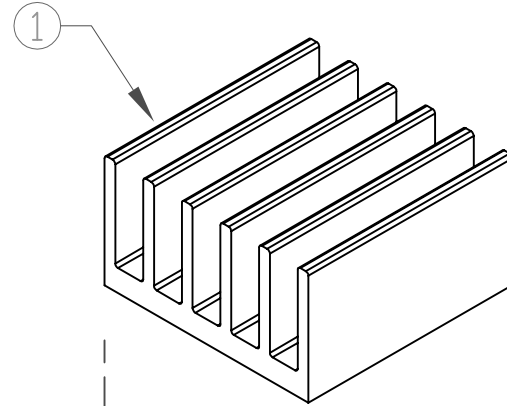
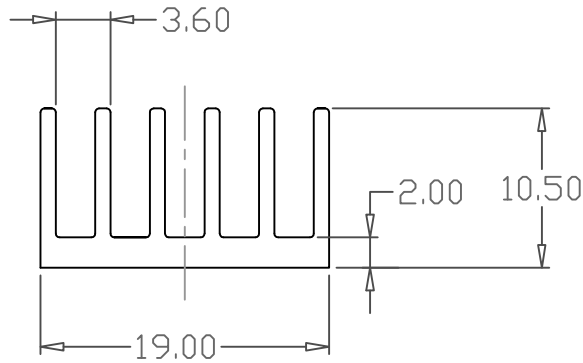


NOTICE - PROPRIETARY INFORMATION  
 THE DESIGN AND RELATED INFORMATION CONTAINED HEREIN IS THE SOLE PROPERTY OF COFAN USA, INC. THE DISCLOSURE OF THIS INFORMATION DOES NOT CONSTITUTE THE RELEASE OF ANY PROPRIETARY RIGHTS THEREIN. PERMISSION TO REPRODUCE THIS INFORMATION OR THE PRODUCTS DISCLOSED HEREIN MUST BE OBTAINED IN WRITING FROM COFAN USA, INC.

| REVISION HISTORY |  |  |  |  |
|------------------|--|--|--|--|
|                  |  |  |  |  |



THERMAL TAPE  
 CHOMERICS T405  
 (19 x 19mm)

REMOVE BEFORE INSTALLATION

Weight: 4.5g

Thermal Resistance (without T405):

| LFM | °C/W  |
|-----|-------|
| 0   | 26.5  |
| 100 | 12.59 |
| 200 | 8.56  |
| 400 | 5.99  |

| ITER | PART NAME               | PART #  | QTY |
|------|-------------------------|---------|-----|
| 2    | CHOMERICS T-405 19x19mm | 70-1074 | 1   |
| 1    | HEATSINK                | 20-2077 | 1   |

BOM SHEET

DO NOT SCALE DRAWING

UNLESS OTHERWISE SPECIFIED  
 DIMENSIONS ARE IN MILLIMETRE  
 TOLERANCES ARE:

|              |        |
|--------------|--------|
| 1 PLACE .X   | ± 0.4  |
| 2 PLACE .XX  | ± 0.25 |
| 3 PLACE .XXX | ± 0.13 |

ANGLES EXCEPT 90°  
 ± 0.5°

MAXIMUM SURFACE ROUGHNESS  
 3.1  $\sqrt{\text{R}}$

|                          |                                    |   |                            |                |
|--------------------------|------------------------------------|---|----------------------------|----------------|
| MATERIAL:<br>6063-T5     | CUSTOMER DRAWING NUMBER:<br>-      | <br>46177 Varn Springs Blvd., Fremont, CA 94539 |                            |                |
| FINISH:<br>BLACK ANODIZE | PART NUMBER:                       | NAME:<br>HEAT SINK+PAD, 19X19X10.5 MM           |                            |                |
| DRAWN BY:<br>A.jie       | COFAN ALTERNATE PART #:<br>30-1471 | SCALE:<br>1:1                                   | CUS REV:<br>-              | COF REV:<br>01 |
| APPR BY:<br>IVANC        | COFAN PART NUMBER:<br>30-1471      | SHEET:<br>1 OF 1                                | DATE DRAWN:<br>Feb-21-2007 |                |