
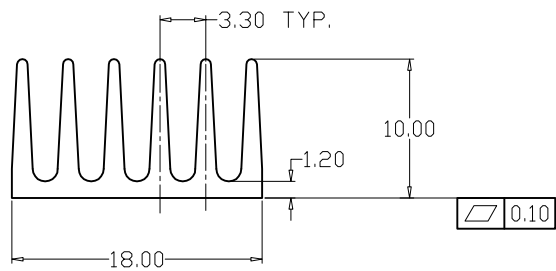
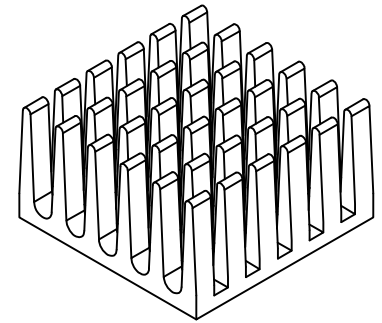
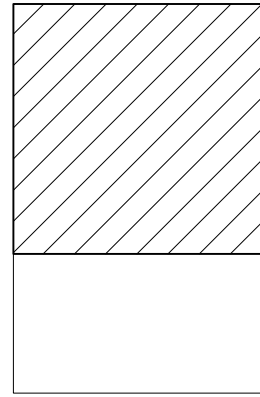
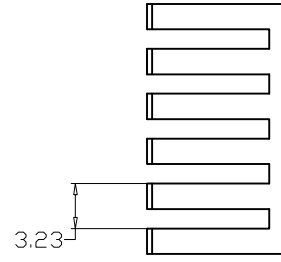
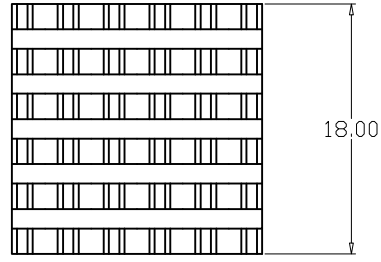
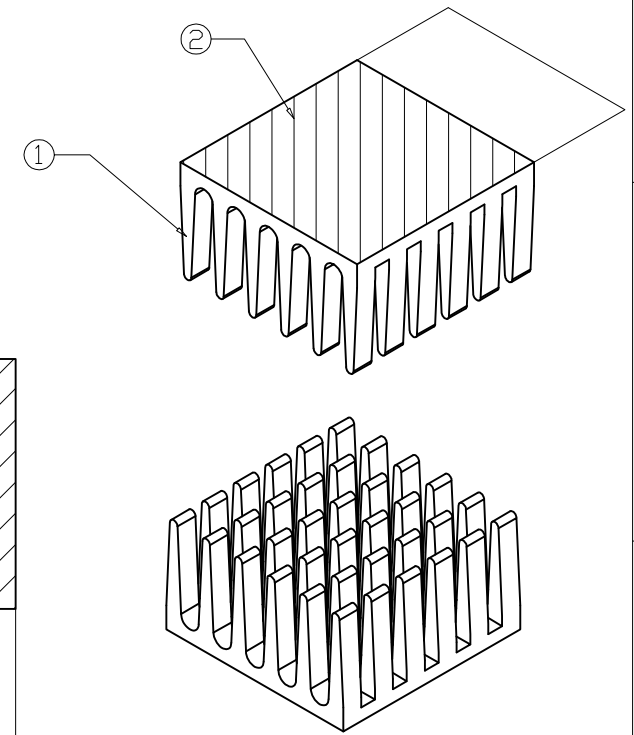


NOTICE - PROPRIETARY INFORMATION
 THE DESIGN AND RELATED INFORMATION CONTAINED HEREIN
 IS THE SOLE PROPERTY OF COFAN USA INC. THE DISCLOSURE
 OF THIS INFORMATION DOES NOT CONSTITUTE THE RELEASE OF
 ANY PROPRIETARY RIGHTS THEREIN. PERMISSION TO REPRODUCE
 THIS INFORMATION OR THE PRODUCTS DISCLOSED HEREIN
 MUST BE OBTAINED IN WRITING FROM COFAN USA INC.

REVISION HISTORY					
REV	DESCRIPTION	DRWN	CHK'D	APP'VD	DATE
-	-	-	-	-	-

- NOTES:
1. MATERIAL: SEE BOM FOR DETAILS.
 2. FINISH: N/A
 3. DEBURR AND BREAK ALL SHARP EDGES..
 4.  IS CRITICAL INSPECTION POINT. NUMBERING IN TRIANGLE IS TO BE USED FOR CROSS REFERENCE OF INSPECTION REPORT TO DRAWING DIMENSION OR FEATURE.
 5. PART GROSS WEIGHT: 3 g/pcs.



ITEM	PART NUMBER	DESCRIPTION	QTY
2	70-1083	3M8805, 18 X 18mm	1
1	20-2093	HEAT SINK, 18.0 X 18.0 X10.0mm	1

DO NOT SCALE DRAWING		NAME:	DATE:	CUSTOMER DRAWING NUMBER:		
UNLESS OTHERWISE SPECIFIED DIMENSIONS ARE IN MILLIMETRE TOLERANCES ARE:		DRAWN BY:	Jun 03/23/07	[----]		
1 PLACE .X	± 0.4	CHECKED BY:	Ivan 10/25/10	CUSTOMER PART NUMBER:		
2 PLACE .XX	± 0.25	CHECKED BY:		[----]		
3 PLACE .XXX	± 0.13	CHECKED BY:		CDFAN DRAWING NUMBER:	SCALE:	CUS REV:
ANGLES EXCEPT 90°	± 0.5°	APPR BY:		30-1552	NONE	01
MAXIMUM SURFACE ROUGHNESS	3.2			CDFAN PART NUMBER:	SHEET:	DATE DRAWN:
				30-1552	1 OF 1	Mar-23-2007

RoHS
 COMPLIANT
 2002/95/EC