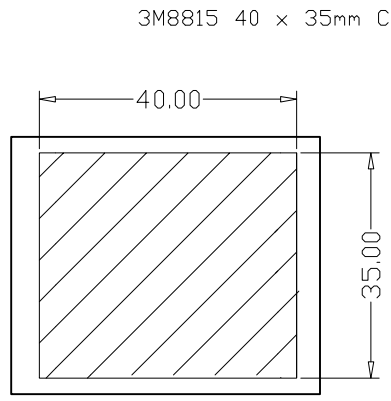
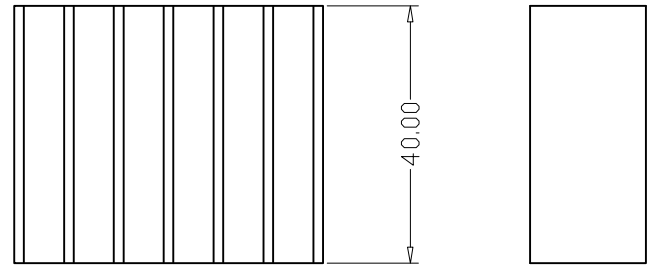
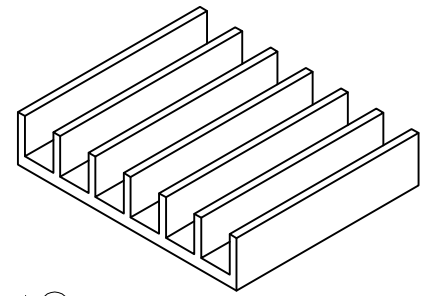


8 7 6 5 4 3 2 1

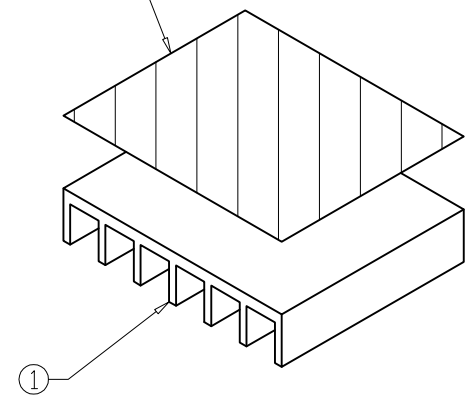
NOTICE - PROPRIETARY INFORMATION  
 THE DESIGN AND RELATED INFORMATION CONTAINED HEREIN  
 IS THE SOLE PROPERTY OF COFAN INC. THE DISCLOSURE  
 OF THIS INFORMATION DOES NOT CONSTITUTE THE RELEASE OF  
 ANY PROPRIETARY RIGHTS THEREIN. PERMISSION TO REPRODUCE  
 THIS INFORMATION OR THE PRODUCTS DISCLOSED HEREIN  
 MUST BE OBTAINED IN WRITING FROM COFAN INC.

REVISION HISTORY					
REV	DESCRIPTION	DRWN	CHK'D	APP'VD	DATE
---	SEE SHEET 1	---	---	---	---

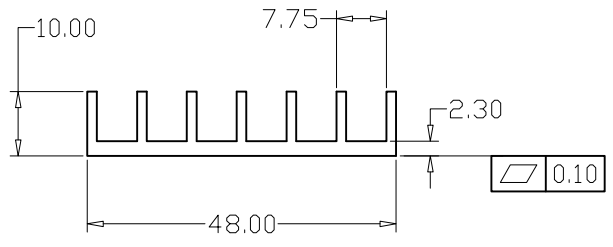
- NOTES:
- 1 MATERIAL: AL 6063-T5.
  - 2 FINISH: BLACK ANODIZED.
  3. BREAK ALL SHARP EDGES AND CORNERS.
  4. ALL DIMENSIONS ARE TOLERANCED BY THE DECIMAL PLACE ON THE DRAWING AND IN THE TITLE BLOCK UNLESS NOTED ON THE DRAWING BY A SEPARATE TOLERANCE CALLOUT.
  5.  $\triangle$  IS CRITICAL INSPECTION POINT. NUMBERING IN TRIANGLE IS TO BE USED FOR CROSS REFERENCE OF INSPECTION REPORT TO DRAWING DIMENSION OR FEATURE.
  6. PART WEIGHT: 21g



3M8815 40 x 35mm Centered  $\triangle$ 2



RoHS  
 Compliant  
 2002/95/EC



$\triangle$ 2	70-1084	3M8815, 40 x 35 x 0.38mm	1
$\triangle$ 1	20-2096	HEAT SINK, 48.0 X 40.0 X 10.0mm	1
ITEM	PART NUMBER	DESCRIPTION	QTY

DO NOT SCALE DRAWING UNLESS OTHERWISE SPECIFIED DIMENSIONS ARE IN MILLIMETRE TOLERANCES ARE: 1 PLACE .X $\pm$ 0.4 2 PLACE .XX $\pm$ 0.25 3 PLACE .XXX $\pm$ 0.13 ANGLES EXCEPT 90° $\pm$ 1° MAXIMUM SURFACE ROUGHNESS 125 $\sqrt$	MATERIAL:	1	CUSTOMER DRAWING NUMBER:	COFAN USA 46177 Warm Springs Blvd, Fremont, CA 94539		
	FINISH:	2	CUSTOMER PART NUMBER:	NAME: HEAT SINK+PAD, 48x40x10 MM		
	DRAWN BY:	Jun	COFAN DRAWING NUMBER:	SCALE:	CUS REV:	COF REV:
	APPR BY:	IVANC	COFAN PART NUMBER:	30-1530	NONE	01
		30-1530	SHEET:	DATE DRAWN:		
			1 OF 1	Apr-03-2007		