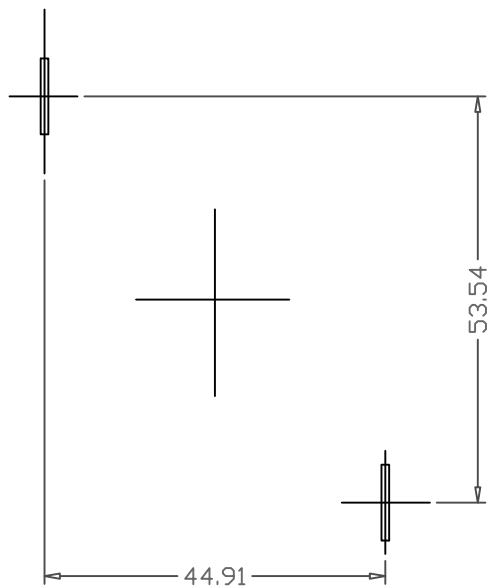
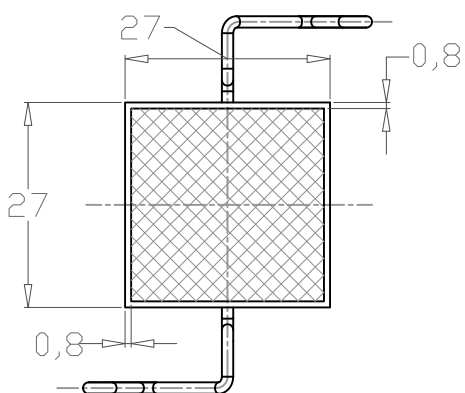
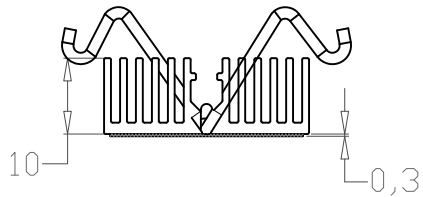
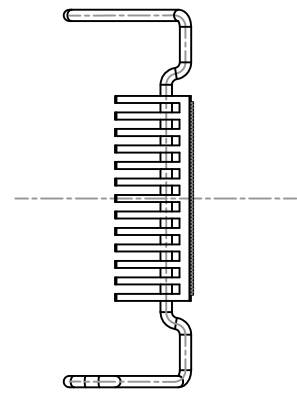
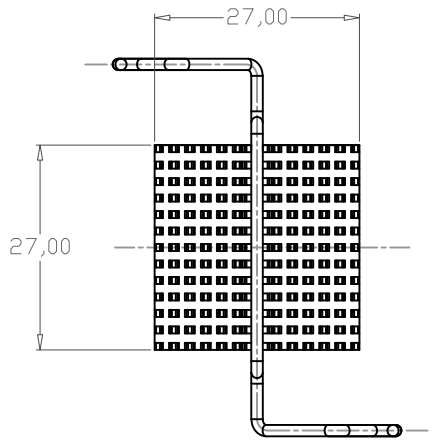
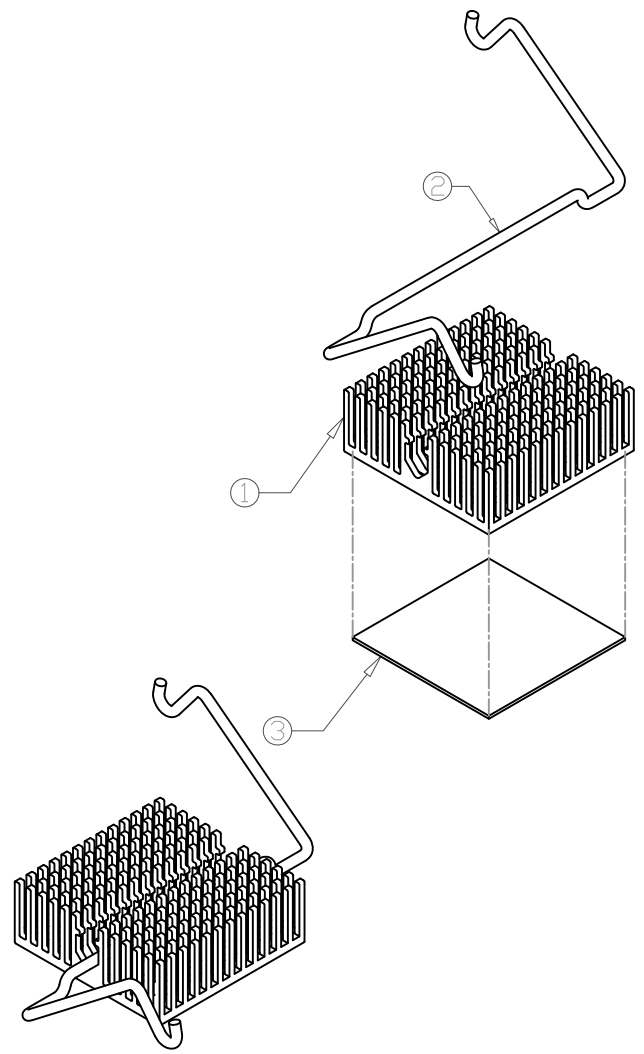


NOTICE - PROPRIETARY INFORMATION
 THE DESIGN AND RELATED INFORMATION CONTAINED HEREIN
 IS THE SOLE PROPERTY OF COFAN INC. THE DISCLOSURE
 OF THIS INFORMATION DOES NOT CONSTITUTE THE RELEASE OF
 ANY PROPRIETARY RIGHTS THEREIN. PERMISSION TO REPRODUCE
 THIS INFORMATION OR THE PRODUCTS DISCLOSED HEREIN
 MUST BE OBTAINED IN WRITING FROM COFAN INC.

REVISION HISTORY					
REV	DESCRIPTION	DRWN	CHK'D	APP'VD	DATE
----	----	----	----	----	----



REF: ANCHOR LAYOUT



ITEM	DESCRIPTION	COFAN P/N	Material/Plating	QTY
③	CLIP	53-1026 Rev 01	STAINLESS STEEL / DEGREASED	1
②	HEATSINK	20-1578 Rev 01	AL 6063-T5 / BLACK ANODIZE / 27X27X10.0MM / RoHS	1
①	THERMAL INTERFACE	70-1008 Rev 01	CHOMERICS T725, 25.4 x 25.4mm, centered	1

DO NOT SCALE DRAWING
 UNLESS OTHERWISE SPECIFIED
 DIMENSIONS ARE IN MILLIMETRE
 TOLERANCES ARE:
 1 PLACE .X ± 0,4
 2 PLACE .XX ± 0,25
 3 PLACE .XXX ± 0,13
 ANGLES EXCEPT 90° ± 0,5°
 MAXIMUM SURFACE ROUGHNESS 3,1 √

MATERIAL:	-	CUSTOMER DRAWING NUMBER:	-		
FINISH:	-	CUSTOMER PART NUMBER:	-	NAME: EXTRUDED HEATSINK ASSY	
DRAWN BY:	-	COFAN DRAWING NUMBER:	30-1541	SCALE:	1:1
APPR BY:	-	COFAN PART NUMBER:	-	CUS REV:	01
			SHEET:	1 OF 1	
			DATE DRAWN: May-6-2011		