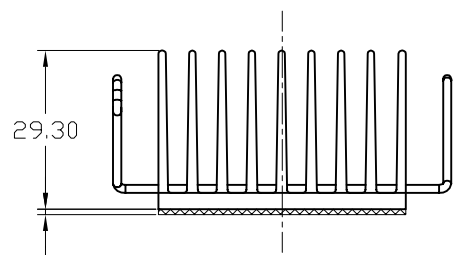
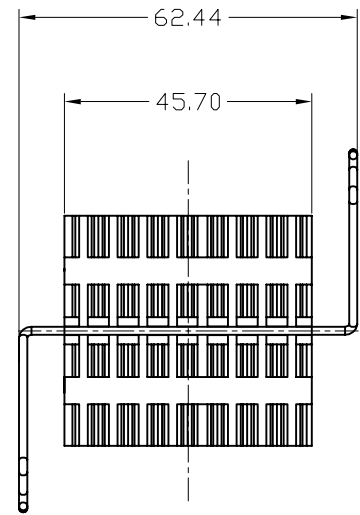
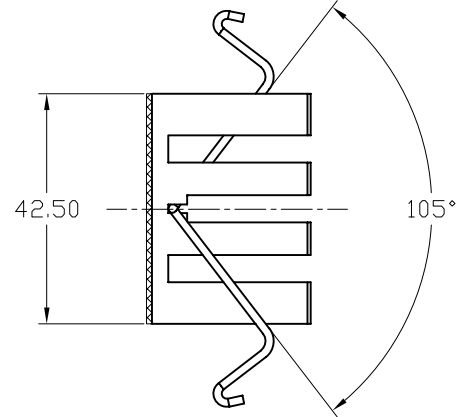
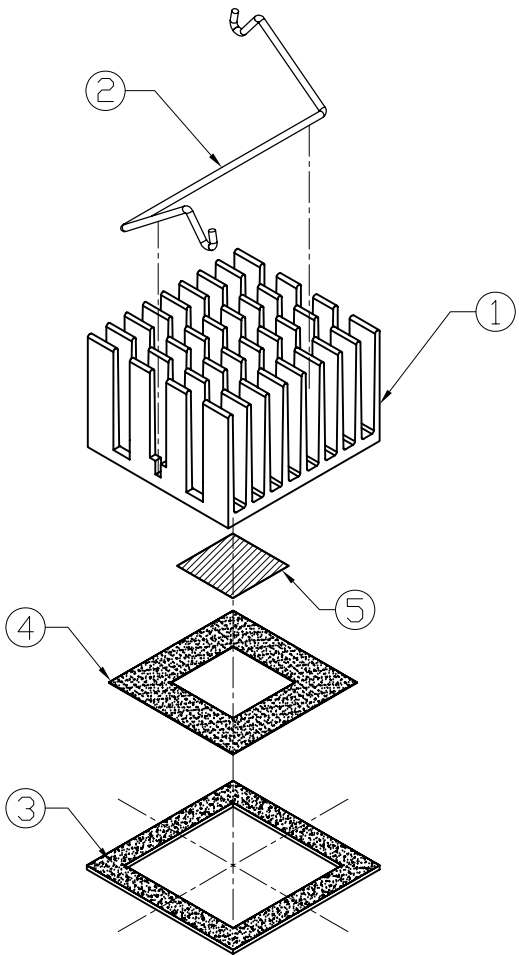


NOTICE - PROPRIETARY INFORMATION
 THE DESIGN AND RELATED INFORMATION CONTAINED HEREIN
 IS THE SOLE PROPERTY OF COFAN INC. THE DISCLOSURE
 OF THIS INFORMATION DOES NOT CONSTITUTE THE RELEASE OF
 ANY PROPRIETARY RIGHTS THEREIN. PERMISSION TO REPRODUCE
 THIS INFORMATION OR THE PRODUCTS DISCLOSED HEREIN
 MUST BE OBTAINED IN WRITING FROM COFAN INC.

REVISION HISTORY					
REV	DESCRIPTION	DRWN	CHK'D	APPVD	DATE



RoHS
 Compliant
 2002/95/EC

Foam thickness
 1.00

⑤	PAD	70-1041	01	1	HONEYWELL #PCM45F 15X15mm
④	GASKET	50-1092	01	1	3M TAPE WITH 0.13mm(T) FR700 TAPE.
③	FOAM	55-1008	01	1	PORON SILICON FOAM BLACK V2, PU FOAM
②	CLIP	53-1017	01	1	STAINLESS STEEL/ Nickel-plating
①	HEAT SINK	20-3022	01	1	ALUMINUM 6063-T5, CLEAR ANODIZED
Item	Part Description	Part Number	Rev	Q'ty	Material

DO NOT SCALE DRAWING
 UNLESS OTHERWISE SPECIFIED
 DIMENSIONS ARE IN MILLIMETRE
 TOLERANCES ARE:
 1 PLACE .X ± 0.25
 2 PLACE .XX ± 0.13
 3 PLACE .XXX ± 0.08
 ANGLES EXCEPT 90° ± 0.5°
 MAXIMUM SURFACE ROUGHNESS 64

NAME: Long
 DATE: Jul-18-07
 DRAWN BY:
 CHECKED BY: Ivan.C
 APPR BY: Mark.S
 DATE: 7/18/07

CUSTOMER DRAWING NUMBER: [----]
 CUSTOMER PART NUMBER: [----]
 COFAN DRAWING NUMBER: 30-1628
 COFAN PART NUMBER: 30-1628

COFAN USA
 46177 WARM SPRING BLVD FREMONT CA 94539
 NAME: HEAT SINK ASSY
 45.7 x 42.5 x 29.3mm
 SCALE: 1:1
 CUS REV: 01
 COF REV: 01
 SHEET: 1 OF 1
 DATE DRAWN: Jun-18-2007