

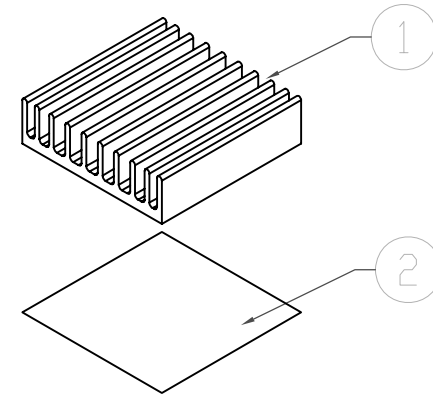
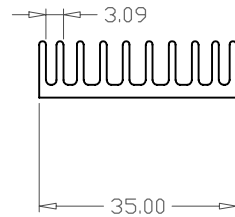
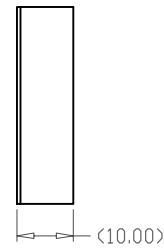
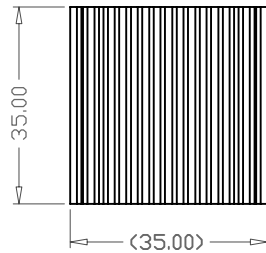
8 7 6 5 4 3 2 1

NOTICE - PROPRIETARY INFORMATION  
 THE DESIGN AND RELATED INFORMATION CONTAINED HEREIN  
 IS THE SOLE PROPERTY OF COFAN INC. . THE DISCLOSURE  
 OF THIS INFORMATION DOES NOT CONSTITUTE THE RELEASE OF  
 ANY PROPRIETARY RIGHTS THEREIN. PERMISSION TO REPRODUCE  
 THIS INFORMATION OR THE PRODUCTS DISCLOSED HEREIN  
 MUST BE OBTAINED IN WRITING FROM COFAN INC.

REVISION HISTORY					
REV	DESCRIPTION	DRWN	CHK'D	APPVD	DATE
—	—	—	—	—	—

NOTES:

- 1 MATERIAL: AL 6063-T5 .
- 2 FINISH: ANODIZE BLACK.
- 3. DIMENSIONS AND TOLERANCE PER ANSI Y14.5-1982.
- 4. REMOVE ALL SHARP EDGES AND BURRS.
- 5.  $\triangle$  IS CRITICAL INSPECTION POINT. NUMBERING IN TRIANGLE IS TO BE USED FOR CROSS REFERENCE OF INSPECTION REPORT TO DRAWING DIMENSION OR FEATURE.
- 6. PART NET WEIGHT: 18.0g/PCS.



ITEM	DESCRIPTION	PART NUMBER	MATERIAL/FINISH	QTY
①	HEATSINK	20-1371	AL6063 / BLACK ANODIZE	1
②	BONDPLY 105, 35x35mm	70-1151	-	1

DO NOT SCALE DRAWING		NAME:	DATE:	CUSTOMER DRAWING NUMBER:	 46177 WARM SPRING BLVD FREMONT CA 94539			
UNLESS OTHERWISE SPECIFIED DIMENSIONS ARE IN MILLIMETRE TOLERANCES ARE:		DRAWN BY:	Mark.S	9/13/07	CUSTOMER PART NUMBER:	NAME: HEAT SINK 35 x 35 x 10mm		
1 PLACE .X	± 0.4	CHECKED BY:			COFAN DRAWING NUMBER:	SCALE:	CUS REV:	COF REV:
2 PLACE .XX	± 0.25	CHECKED BY:			30-1721	1:1	01	01
3 PLACE .XXX	± 0.13	APPR BY:			COFAN PART NUMBER:	SHEET:	DATE DRAWN:	
ANGLES EXCEPT 90°	± 0.5°				30-1721	1 OF 1	Sep-13-07	
MAXIMUM SURFACE ROUGHNESS	6.3 $\sqrt$							

RoHS  
 Compliant  
 2002/95/EC