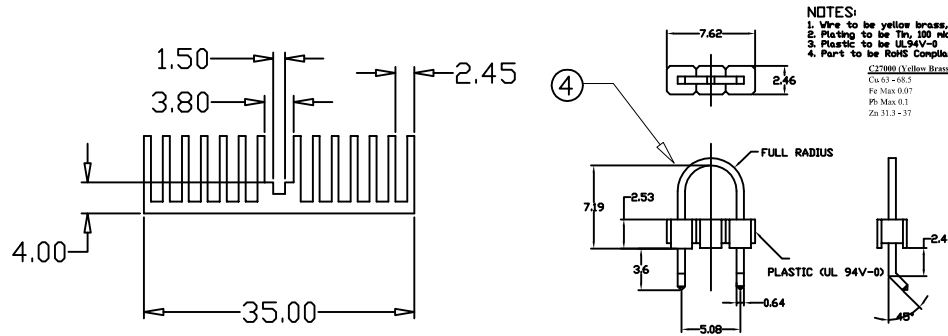
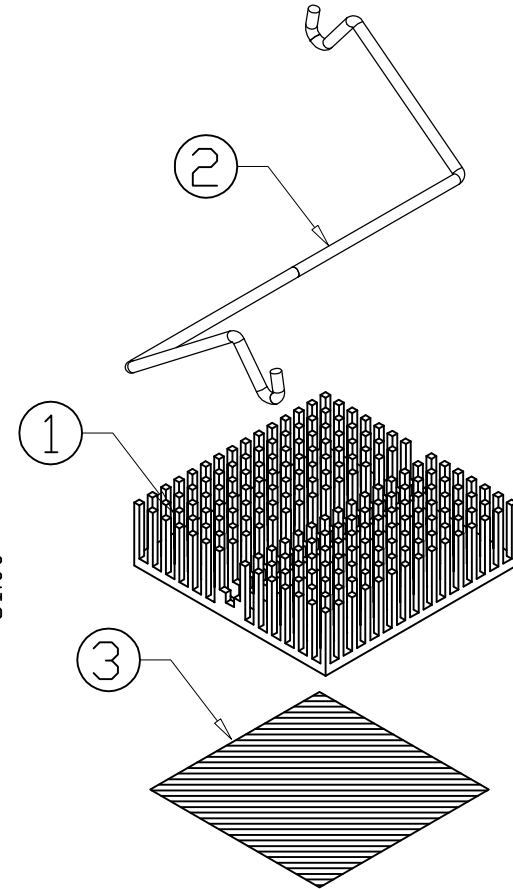
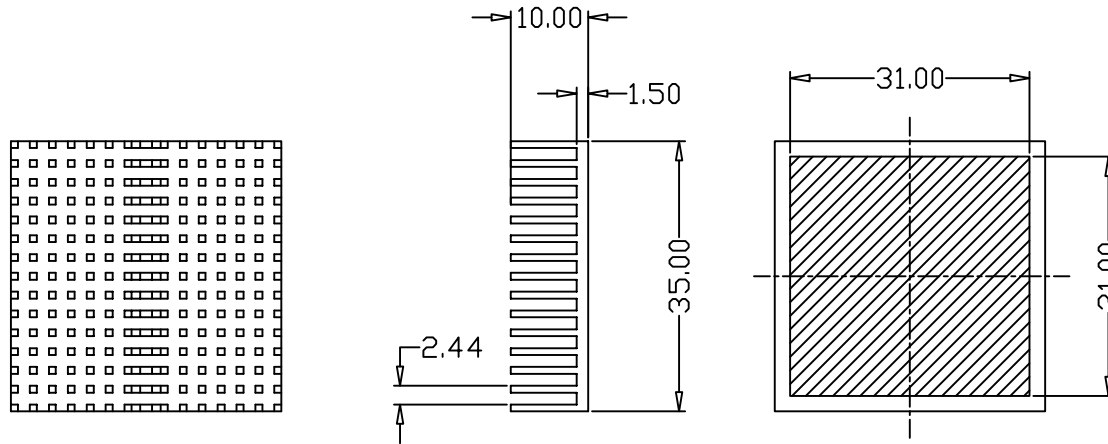


NOTICE - PROPRIETARY INFORMATION
 THE DESIGN AND RELATED INFORMATION CONTAINED HEREIN
 IS THE SOLE PROPERTY OF COFAN USA INC. THE DISCLOSURE
 OF THIS INFORMATION DOES NOT CONSTITUTE THE RELEASE OF
 ANY PROPRIETARY RIGHTS THEREIN. PERMISSION TO REPRODUCE
 THIS INFORMATION OR THE PRODUCTS DISCLOSED HEREIN
 MUST BE OBTAINED IN WRITING FROM COFAN USA INC.

REVISION HISTORY					
REV	DESCRIPTION	DRWN	CHK'D	APP'VD	DATE
-	-	-	-	-	-

NOTES:

1. MATERIAL: See Individual Drawings for Details.
2. FINISH: N/A
3. DEBURR AND BREAK ALL SHARP EDGES..
4. \triangle IS CRITICAL INSPECTION POINT. NUMBERING IN TRIANGLE IS TO BE USED FOR CROSS REFERENCE OF INSPECTION REPORT TO DRAWING DIMENSION OR FEATURE.
5. ALL DIMENSIONS TO INCLUDE APPLICABLE FINISH.
6. PART GROSS WEIGHT: XXX g/Pcs.



NOTES:
 1. Wire to be yellow brass, C27000 or equivalent
 2. Plating to be TiN , 100 microinches in thickness min
 3. Plastic to be UL94V-0
 4. Part to be RoHS Compliant & Lead Free
 C27000 (Yellow Brass) Substance % by Weight
 Cu: 61-68.5
 Fe: Max 0.07
 Pb: Max 0.1
 Zn: 31.3 - 37

ITEM	PART NUMBER	NAME	DESCRIPTION	QTY
④	53-1004	ANCHOR	ANCHOR	1
③	30-1727PAD	PAD	Chomerics T766 , 31 X 31mm	1
②	53-1020	CLIP	CLIP , SPRING STEEL, NICKEL PLATED	1
①	20-4847	Heatsink	AL BLACK ANODIZED HEAT SINK	1

DO NOT SCALE DRAWING		NAME:	DATE:	CUSTOMER DRAWING NUMBER:		
UNLESS OTHERWISE SPECIFIED DIMENSIONS ARE IN MILLIMETRE TOLERANCES ARE:		DRAWN BY:	Jun 09/20/07	[-----]		
1 PLACE .X	± 0.25	CHECKED BY:	IVAN 10/20/10	CUSTOMER PART NUMBER: [-----]		
2 PLACE .XX	± 0.13	CHECKED BY:		COFAN DRAWING NUMBER: 30-1727		
3 PLACE .XXX	± 0.08	APPR BY:		COFAN PART NUMBER: 30-1727		
ANGLES EXCEPT 90°				SCALE:	CUS REV:	COF REV:
MAXIMUM SURFACE ROUGHNESS		6.3		NONE	01	01
				SHEET:	DATE DRAWN:	
				1 OF 1	Sept-20-2007	

RoHS
 COMPLIANT
 2002/95/EC

COFAN USA
 46177 VARN SPRINGS BLVD FREMONT CA 94539