

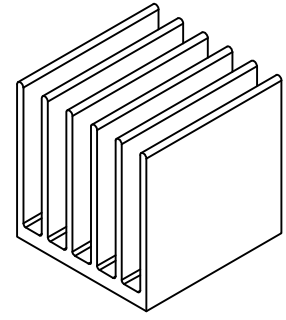
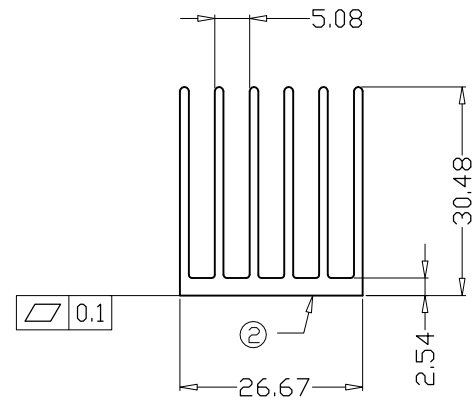
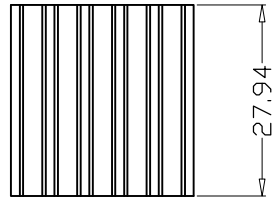
NOTICE - PROPRIETARY INFORMATION  
 THE DESIGN AND RELATED INFORMATION CONTAINED HEREIN IS THE SOLE PROPERTY OF COFAN INC. THE DISCLOSURE OF THIS INFORMATION DOES NOT CONSTITUTE THE RELEASE OF ANY PROPRIETARY RIGHTS THEREIN. PERMISSION TO REPRODUCE THIS INFORMATION OR THE PRODUCTS DISCLOSED HEREIN MUST BE OBTAINED IN WRITING FROM COFAN INC.

| REVISION HISTORY |   |      |       |        |           |
|------------------|---|------|-------|--------|-----------|
| REV              | DESCRIPTION   | DRWN | CHK'D | APP'VD | DATE      |
| 02               | Height change to 30.48mm from 27.94mm. Customer part# change to 20-00550-01 from 20-00190-01. | AJie | --    | --     | Jun-06-07 |

NOTES

- 1. MATERIAL: AL 6063-T5
- 2. FINISH: BLACK ANODIZE
- 3. APPROX WEIGHT: 21.17g
- 4. Ⓜ IS CRITICAL INSPECTION POINT, NUMBERING IN TRIANGLE IS TO BE USED FOR CROSS REFERENCE OF INSPECTION REPORT TO DRAWING DIMENSION OR FEATURE.
- 5. NO SHARP BURR OR EDGES

RoHS  
 Compliant  
 2002/95/EC



|    |         |                             |     |
|----|---------|-----------------------------|-----|
| ②  | 70-1007 | Tape, Bond-ply 105, 26x26mm | 1PC |
| ①  | 20-1180 | Bare Heat Sink              | 1PC |
| No | P/N     | DESCRIPTION                 | Qty |

DO NOT SCALE DRAWING  
 UNLESS OTHERWISE SPECIFIED  
 DIMENSIONS ARE IN MILLIMETRE  
 TOLERANCES ARE:  
 1 PLACE .X ± 0.3  
 2 PLACE .XX ± 0.13  
 3 PLACE .XXX ± 0.06  
 ANGLES EXCEPT 90° ± 0.5°  
 MAXIMUM SURFACE ROUGHNESS 3.2√

|           |        |                          |  |             |          |
|-----------|--------|--------------------------|--|-------------|----------|
| MATERIAL: | ①      | CUSTOMER DRAWING NUMBER: | <br>46177 Warm Springs Blvd, Fremont, CA 94539 |             |          |
| FINISH:   | ②      | CUSTOMER PART NUMBER:    | NAME: HEAT SINK, 28X27X30.5 MM                 |             |          |
| DRAWN BY: | Ajie   | COFAN DRAWING NUMBER:    | SCALE:   | CUS REV:    | COF REV: |
| APPR BY:  | Ivan.C | 30-1738                  | 1:1  | A0          | 02       |
|           |        | COFAN PART NUMBER:       | SHEET:   | DATE DRAWN: |          |
|           |        | 30-1738                  | 1 OF 1   | Jun-06-2007 |          |