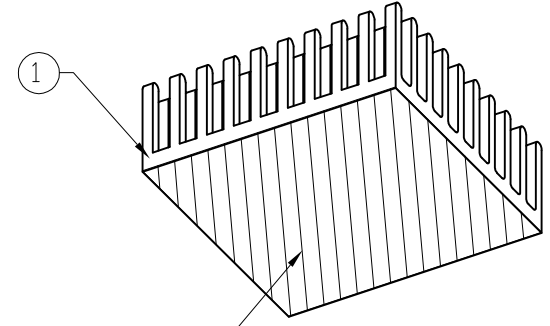
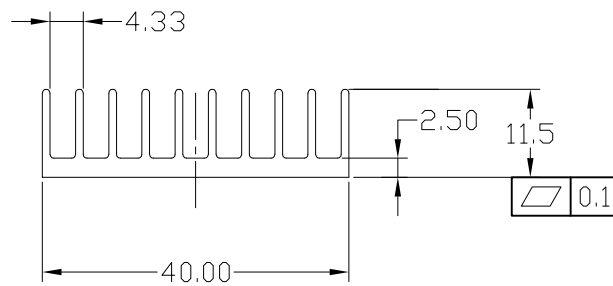
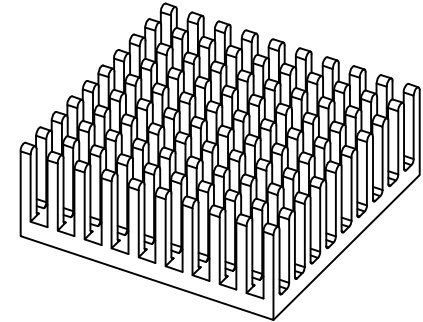
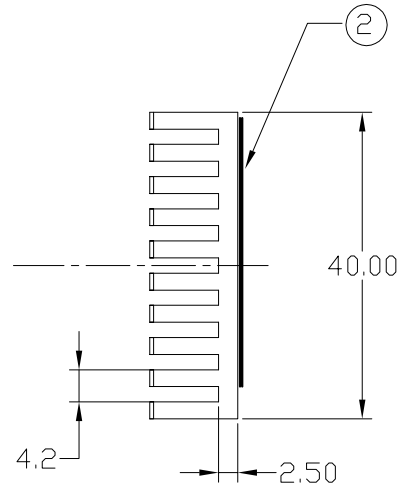
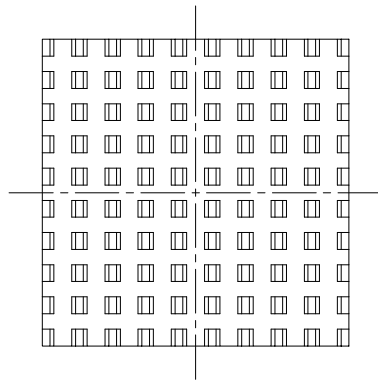


NOTICE - PROPRIETARY INFORMATION
 THE DESIGN AND RELATED INFORMATION CONTAINED HEREIN
 IS THE SOLE PROPERTY OF COFAN USA. THE DISCLOSURE
 OF THIS INFORMATION DOES NOT CONSTITUTE THE RELEASE OF
 ANY PROPRIETARY RIGHTS THEREIN. PERMISSION TO REPRODUCE
 THIS INFORMATION OR THE PRODUCTS DISCLOSED HEREIN
 MUST BE OBTAINED IN WRITING FROM COFAN USA.

To Place Order, use Cofan Part # 30-1847



Thermal Tape
 Bondply 100 or 105, 40 x 40 x .13mm

DO NOT SCALE DRAWING

UNLESS OTHERWISE SPECIFIED
 DIMENSIONS ARE IN MILLIMETRE
 TOLERANCES ARE:

1 PLACE .X	± 0.4
2 PLACE .XX	± 0.25
3 PLACE .XXX	± 0.13
ANGLES EXCEPT 90°	± 1°
MAXIMUM SURFACE ROUGHNESS	125√

DRAWING NUMBER:

MATERIAL: **AL 6063-T5**

FINISH: **BLACK ANODIZED**

DRAWN BY: **DAN**

CHECKED BY: **IVAN.C**

COFAN USA
 46177 Warm Springs Blvd., Fremont, CA 94539

HEAT SINK + PAD, 40x40x11.5 MM

PART NUMBER: **30-1847**

DATE DRAWN: **04-13-2005**

No	P/N	Description	Qty
②	70-1017	Thermal Tape, 40x40x.13mm	1
①	20-4038	Bare HeatSink	1

REV: **01**

SHEET: **1 OF 1**

SCALE: **1:1**