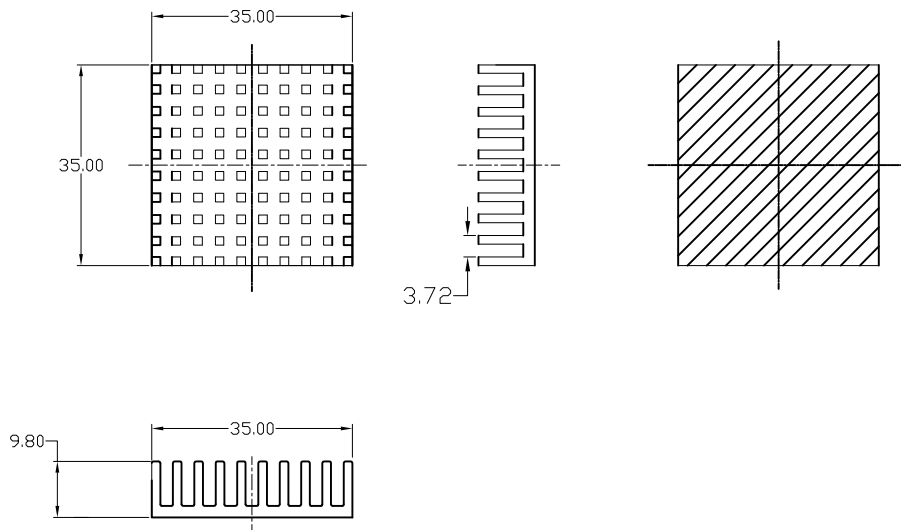
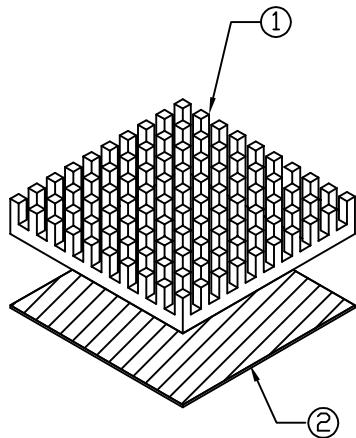


NOTICE - PROPRIETARY INFORMATION
 THE DESIGN AND RELATED INFORMATION CONTAINED HEREIN IS THE SOLE PROPERTY OF COFAN INC. THE DISCLOSURE OF THIS INFORMATION DOES NOT CONSTITUTE THE RELEASE OF ANY PROPRIETARY RIGHTS THEREIN. PERMISSION TO REPRODUCE THIS INFORMATION OR THE PRODUCTS DISCLOSED HEREIN MUST BE OBTAINED IN WRITING FROM COFAN INC.

REVISION HISTORY					
REV	DESCRIPTION	DRWN	CHK'D	APP'VD	DATE
—	— SEE SHEET 1 —	—	—	—	—




RoHS
 Compliant
 2002/95/EC

②	THERMAL PAD	70-1178	3M 8805 35x35mm	N/A
①	HEAT SINK	20-4052	AL6063-T5	BLACK ANODIZE
Item	ITEM NAME	PART #	MATERIAL	PLATING

DO NOT SCALE DRAWING

UNLESS OTHERWISE SPECIFIED
 DIMENSIONS ARE IN MILLIMETRE
 TOLERANCES ARE:

1 PLACE .X	± 0.4
2 PLACE .XX	± 0.25
3 PLACE .XXX	± 0.13
ANGLES EXCEPT 90°	± 0.5°
MAXIMUM SURFACE ROUGHNESS	6.3√

MATERIAL:	N/A	CUSTOMER DRAWING NUMBER:	 46177 WARM SPRINGS BLVD., FREMONT CA 94539		
FINISH:	N/A	CUSTOMER PART NUMBER:	NAME: HEATSINK + PAD, 35x35x9.8		
DRAWN BY:	Mark	COFAN DRAWING NUMBER:	SCALE:	CUS REV:	COF REV:
APPR BY:	IVAN.C	COFAN PART NUMBER:	1:1	--	01
		30-1911	SHEET:	DATE DRAWN:	
		30-1911	1 OF 1	MAY-9-2008	