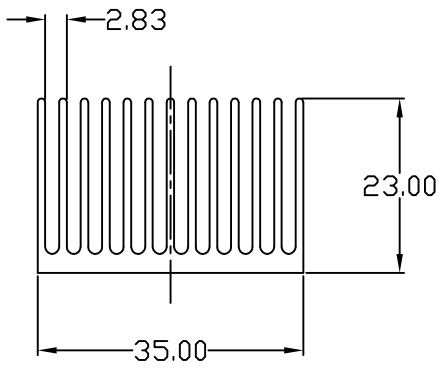
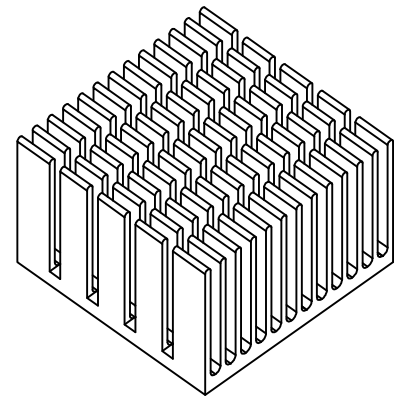
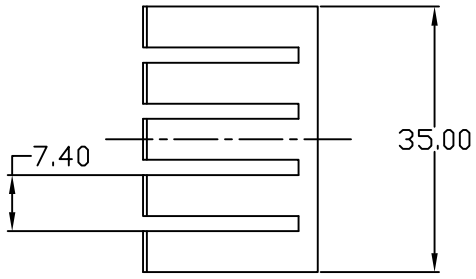
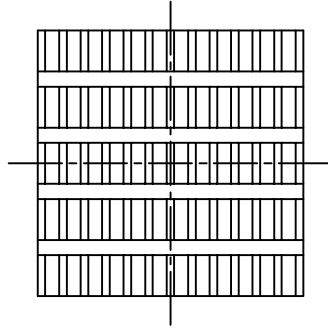
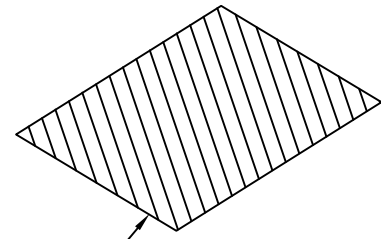


NOTICE - PROPRIETARY INFORMATION  
 THE DESIGN AND RELATED INFORMATION CONTAINED HEREIN  
 IS THE SOLE PROPERTY OF COFAN INC. THE DISCLOSURE  
 OF THIS INFORMATION DOES NOT CONSTITUTE THE RELEASE OF  
 ANY PROPRIETARY RIGHTS THEREIN. PERMISSION TO REPRODUCE  
 THIS INFORMATION OR THE PRODUCTS DISCLOSED HEREIN  
 MUST BE OBTAINED IN WRITING FROM COFAN INC.



Thermal Interface Material:  
 Bondply 108 35 x 35mm



No	P/N	Description	Qty
③	70-1037	Tape, Bondply 108:26x26mm	1PC
②	20-1100	Bare HeatSink	1PC
①	30-1916	20-1100 H/S with TAPE	1Set

DO NOT SCALE DRAWING  
 UNLESS OTHERWISE SPECIFIED  
 DIMENSIONS ARE IN MILLIMETRE  
 TOLERANCES ARE:  
 1 PLACE .X ± 0.4  
 2 PLACE .XX ± 0.25  
 3 PLACE .XXX ± 0.13  
 ANGLES EXCEPT 90° ± 1°  
 MAXIMUM SURFACE ROUGHNESS 3.15

MATERIAL: AL 6063-T5	CUSTOMER DRAWING NUMBER: -	 46177 Warm Springs Blvd., Fremont, CA 94539		
FINISH: Black Anodize	CUSTOMER PART NUMBER: ----	NAME: HEAT SINK + PAD, 35X35X23 MM		
DRAWN BY: Dan	COFAN DRAWING NUMBER: 30-1916	SCALE: 1:1	CUS REV: -	COF REV: 01
APPR BY: IVAN.C	COFAN PART NUMBER: 30-1916	SHEET: 1 OF 1	DATE DRAWN: May-16-2008	