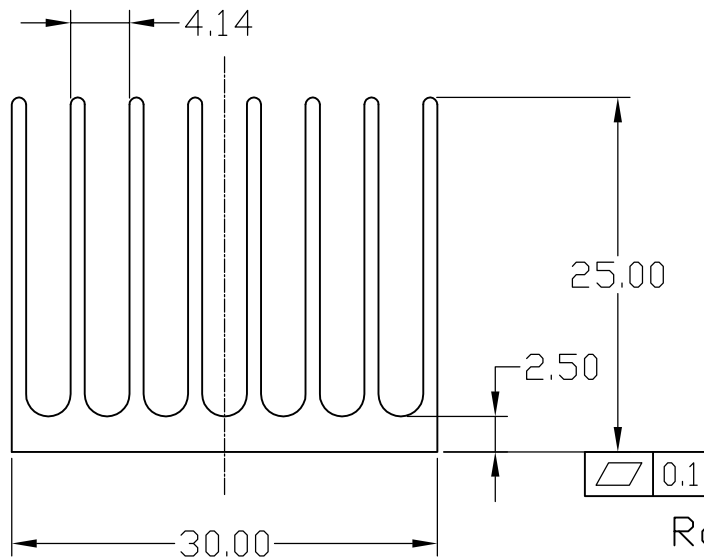
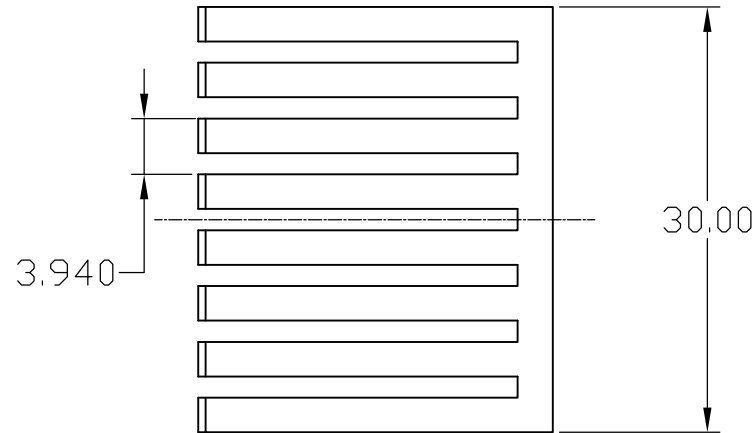
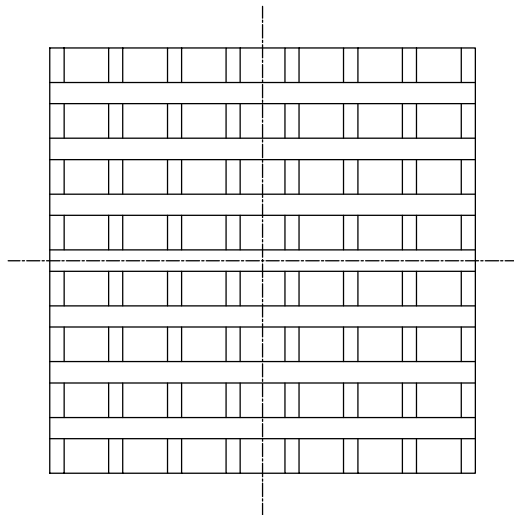
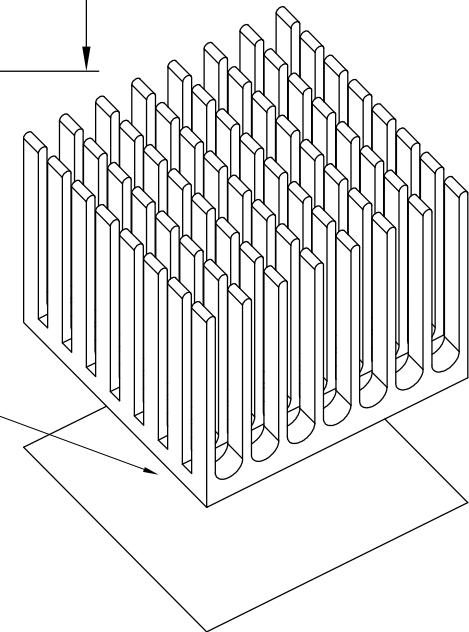


NOTICE - PROPRIETARY INFORMATION
 THE DESIGN AND RELATED INFORMATION CONTAINED HEREIN
 IS THE SOLE PROPERTY OF COFAN INC. THE DISCLOSURE
 OF THIS INFORMATION DOES NOT CONSTITUTE THE RELEASE OF
 ANY PROPRIETARY RIGHTS THEREIN. PERMISSION TO REPRODUCE
 THIS INFORMATION OR THE PRODUCTS DISCLOSED HEREIN
 MUST BE OBTAINED IN WRITING FROM COFAN INC.

REVISION HISTORY					
REV	DESCRIPTION	DRWN	CHK'D	APPVD	DATE



3M8815, 30x30mm



RoHS
 Compliant
 2002/95/EC

DO NOT SCALE DRAWING UNLESS OTHERWISE SPECIFIED DIMENSIONS ARE IN MILLIMETRE TOLERANCES ARE: 1 PLACE .X ± 0.4 2 PLACE .XX ± 0.20 3 PLACE .XXX ± 0.06 ANGLES EXCEPT 90° ± 1° MAXIMUM SURFACE ROUGHNESS 3.2 √	MATERIAL: AL6063-T5	CUSTOMER DRAWING NUMBER: -----	 46177 Warn Springs Blvd., Fremont, CA 94539		
	FINISH: BLACK ANODIZE	CUSTOMER PART NUMBER: -----	NAME: HEAT SINK+ PAD, 30X30X25 MM		
	DRAWN BY: DAN	COFAN DRAWING NUMBER: 30-2009	SCALE: 1:1	CUS REV: 01	COF REV: 01
	APPR BY: IVAN.C	COFAN PART NUMBER: 30-2009	SHEET: 1 OF 1	DATE DRAWN: Aug-26-2006	