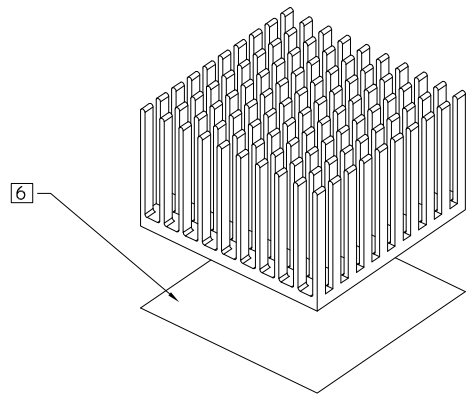
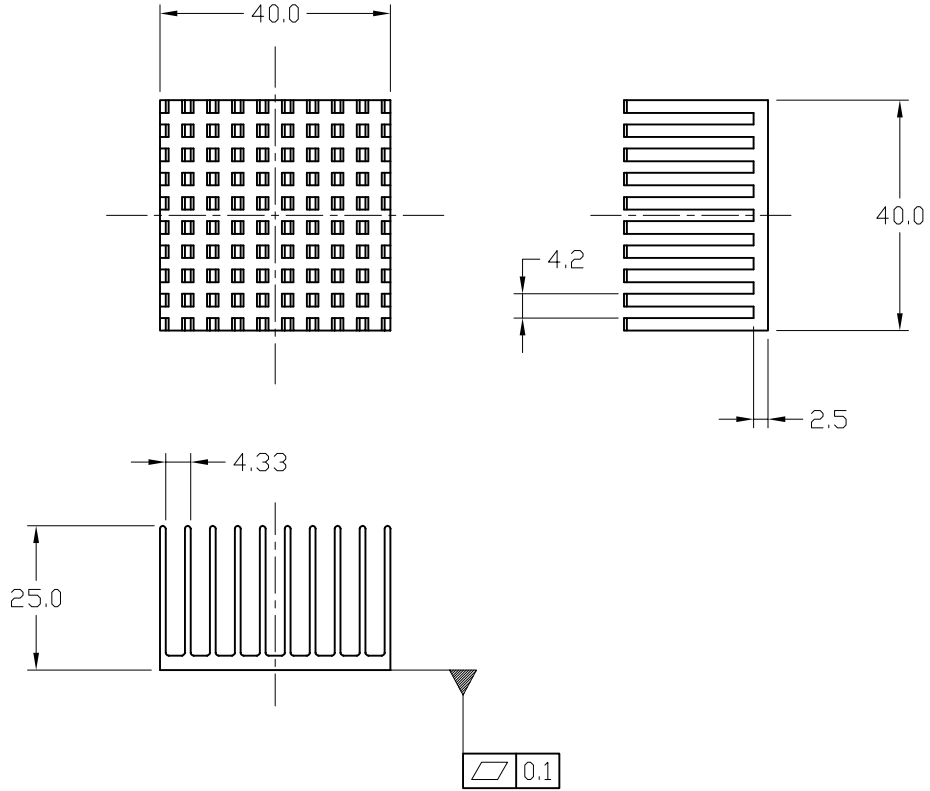


NOTICE - PROPRIETARY INFORMATION
 THE DESIGN AND RELATED INFORMATION CONTAINED HEREIN IS THE SOLE PROPERTY OF COFAN USA INC. THE DISCLOSURE OF THIS INFORMATION DOES NOT CONSTITUTE THE RELEASE OF ANY PROPRIETARY RIGHTS THEREIN. PERMISSION TO REPRODUCE THIS INFORMATION OR THE PRODUCTS DISCLOSED HEREIN MUST BE OBTAINED IN WRITING FROM COFAN USA INC.

REVISION HISTORY				
REV	DESCRIPTION	DRWN	CHK'D	APPVD
---	SEE SHEET 1	---	---	---

- NOTES:
1. MATERIAL: AL6063-T5.
 2. FINISH: BLACK ANODIZED.
 3. BREAK ALL SHARP EDGES AND CORNERS.
 4. \triangle IS CRITICAL INSPECTION POINT. NUMBERING IN TRIANGLE IS TO BE USED FOR CROSS REFERENCE OF INSPECTION REPORT TO DRAWING DIMENSION OR FEATURE.
 5. EXTRUSION GROSS WEIGHT: 38.6g/PCS
 6. APPLY THERMAL INTERFACE MATERIAL 3M8805, 35x35MM.



RoHS
 COMPLIANT
 2002/95/EC

DO NOT SCALE DRAWING		NAME:	DATE:	CUSTOMER DRAWING NUMBER:	 46177 VARN SPRINGS BLVD FREMONT CA 94539		
UNLESS OTHERWISE SPECIFIED DIMENSIONS ARE IN MILLIMETRE TOLERANCES ARE:		DRAWN BY:	11/18/08	----	CUSTOMER PART NUMBER:	NAME:	
1 PLACE .X	±	CHECKED BY:	IVAN.C	10/22/10	----	HEAT SINK + PAD, 40x40x25 MM	
2 PLACE .XX	± 0.25	CHECKED BY:			COFAN DRAWING NUMBER:	SCALE:	CUS REV:
3 PLACE .XXX	±	APPR BY:			30-2010	1:1	-
ANGLES EXCEPT 90°	± 0.5°				COFAN PART NUMBER:	SHEET:	DATE DRAWN:
MAXIMUM SURFACE ROUGHNESS	1.6√				30-2010	1 OF 1	11/18/08