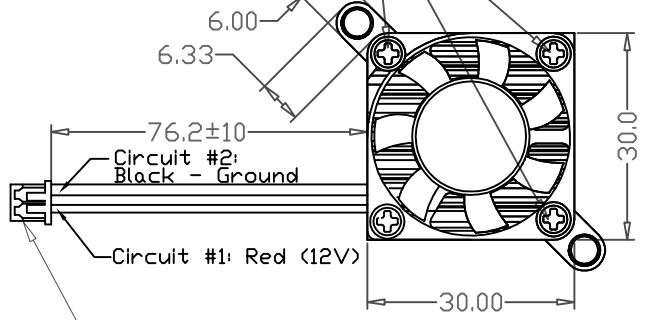
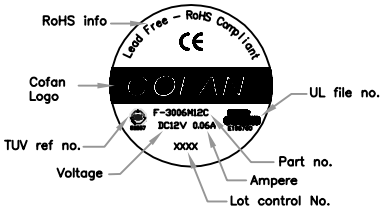


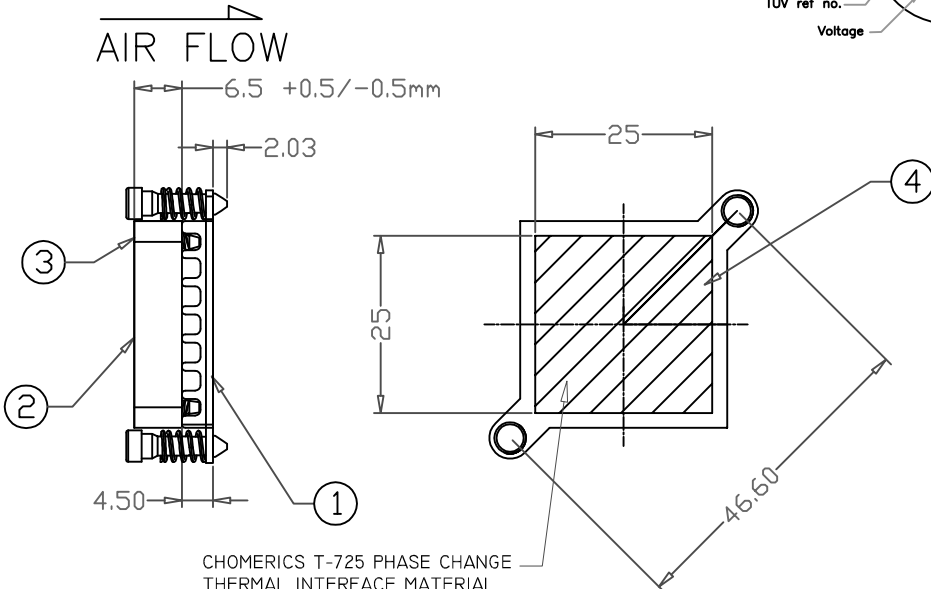
NOTICE - PROPRIETARY INFORMATION  
 THE DESIGN AND RELATED INFORMATION CONTAINED HEREIN IS THE SOLE PROPERTY OF COFAN USA INC. THE DISCLOSURE OF THIS INFORMATION DOES NOT CONSTITUTE THE RELEASE OF ANY PROPRIETARY RIGHTS THEREIN. PERMISSION TO REPRODUCE THIS INFORMATION OR THE PRODUCTS DISCLOSED HEREIN MUST BE OBTAINED IN WRITING FROM COFAN USA INC.

REVISION HISTORY					
REV	DESCRIPTION	DRWN	CHK'D	APP'VD	DATE
-	-	-	-	-	-

1. TORQUE SCREWS TO 13 KG-CM (ENSURES SCREW IS TIGHT AND FAN IS WELL SEATED AGAINST HEATSINK) ALLOWABLE GAP TO BE .152MM OR LESS BETWEEN FAN AND HEATSINK.
2. FAN TO BE COUNTERSUNK (MANUALLY IF NECESSARY) SO THAT SCREW HEADS ARE FLUSH OR A MAX OF .25MM ABOVE THE FANS TOP SURFACE.



1X MOLEX HOUSING 51021-0200 OR EQUIV.  
 2X MOLEX TERMINAL 50079/58-8000 OR EQUIV.



CHOMERICS T-725 PHASE CHANGE THERMAL INTERFACE MATERIAL

HOLE DIA IN PCB TO BE 3.1 +0.10/-0.00MM  
 THERMAL RESISTANCE: APPROX 3.625 C/W

④	50-1393	Brass Pin	2
③	50-1008	Spring	2
④	70-1008	Chomerics T725 Thermal Interface Material	1
③	60-1533	Fan Screw, M3x 9.3mm, 90deg Flathead	4
②	F-3006M12C	12VDC FAN, 30x30x6mm, F-3006M12C only, 2 Wire, 9000 RPM, 3.3CFM, 1 Ball Bearing, CE, UL, CUL approved	1
①	20-4498	HEATSINK, AL6063-T5, Black Anodized	1
	Part #	Part Description	Qty

BOM SHEET

ROHS  
 COMPLIANT  
 2002/95/EC

<b>DO NOT SCALE DRAWING</b> UNLESS OTHERWISE SPECIFIED DIMENSIONS ARE IN MILLIMETRE TOLERANCES ARE: 1 PLACE .X ± 0.4 2 PLACE .XX ± 0.25 3 PLACE .XXX ± 0.13 ANGLES EXCEPT 90° ± 0.5° MAXIMUM SURFACE ROUGHNESS 6.4	NAME:	DATE:	CUSTOMER DRAWING NUMBER:				
	DRAWN BY:	Jun.W 8/06/09	[----]	CUSTOMER PART NUMBER:	NAME: FAN SINK		
	CHECKED BY:	IVAN 8/30/10	[----]	COFAN DRAWING NUMBER:	SCALE:	CUS REV:	COFAN REV:
	CHECKED BY:			30-2304	NONE		01
APPR BY:			COFAN PART NUMBER:	SHEET:	DATE DRAWN:		
			30-2304	1 OF 1	8-6-2009		