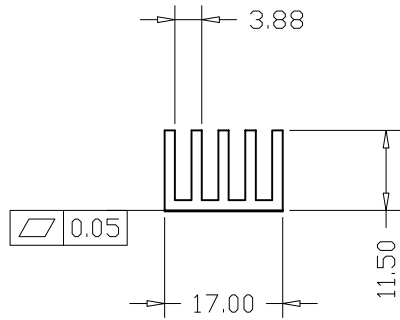
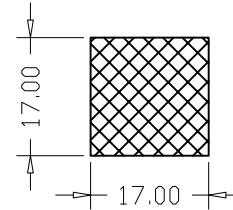
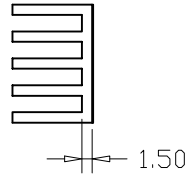
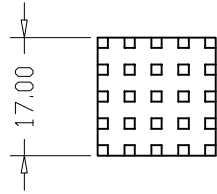


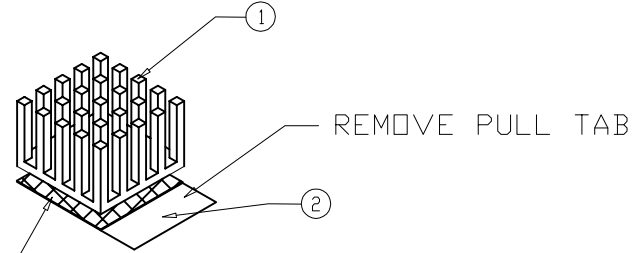
NOTICE - PROPRIETARY INFORMATION
 THE DESIGN AND RELATED INFORMATION CONTAINED HEREIN
 IS THE SOLE PROPERTY OF COFAN USA INC. THE DISCLOSURE
 OF THIS INFORMATION DOES NOT CONSTITUTE THE RELEASE OF
 ANY PROPRIETARY RIGHTS THEREIN. PERMISSION TO REPRODUCE
 THIS INFORMATION OR THE PRODUCTS DISCLOSED HEREIN
 MUST BE OBTAINED IN WRITING FROM COFAN USA INC.

REVISION HISTORY					
REV	DESCRIPTION	DRWN	CHK'D	APP'VD	DATE

NOTES:
 ① MATERIAL: PLEASE SEE BOM FOR DETAILS.
 ② FINISH: N/A



THERMAL TAPE
 3M 8805, 17x17mm



Item	Part Description	COFAN USA P/N	COFAN P/N	REV	Q'ty	NAME	DATE	CUSTOMER PART NUMBER:	COFAN USA
②	3M8805 THERMAL TAPE	70-2203	---	01	1	Kevin	07/03/10	-----	46177 WARM SPRINGS BLVD. FREMONT CA 94539
①	HEAT SINK	20-4674	---	01	1	IVAN	10/12/10	COFAN USA PART NUMBER: 30-2520	NAME: HEAT SINK + PAD, 17X17X11.5 MM
								COFAN DRAWING NUMBER: -----	SCALE: NON
								CUS REV: --	COF REV: 01
								COFAN PART NUMBER: -----	SHEET: 1 OF 1
									DATE DRAWN: Jul-03-2010

DO NOT SCALE DRAWING
 UNLESS OTHERWISE SPECIFIED
 DIMENSIONS ARE IN MILLIMETRE
 TOLERANCES ARE:
 1 PLACE .X ± 0.25
 2 PLACE .XX ± 0.15
 3 PLACE .XXX ± 0.06
 ANGLES EXCEPT 90° ± 1°
 MAXIMUM SURFACE ROUGHNESS 3.2