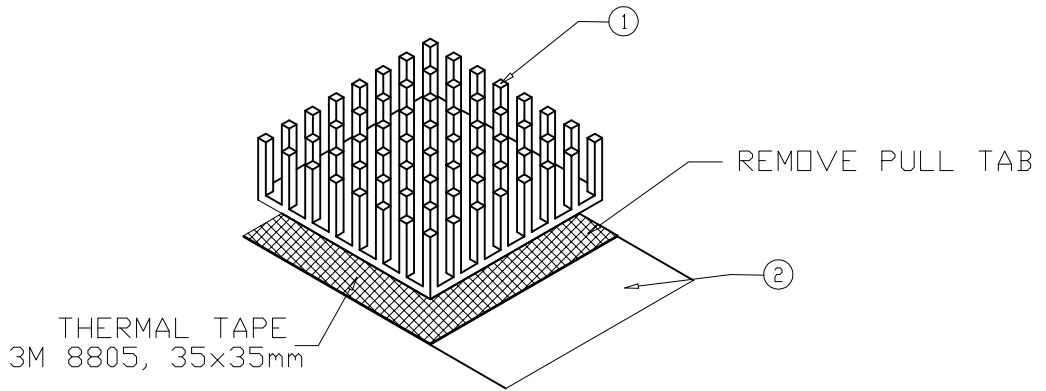
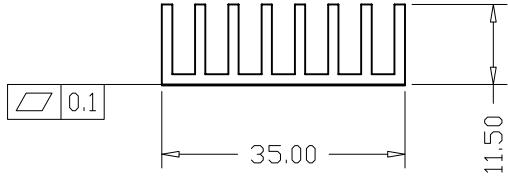
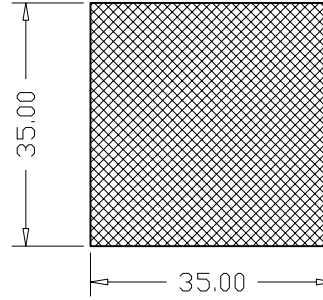
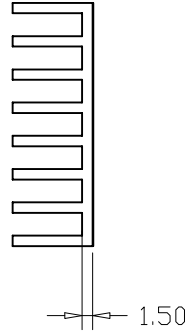
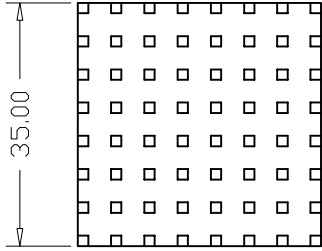


NOTICE - PROPRIETARY INFORMATION
 THE DESIGN AND RELATED INFORMATION CONTAINED HEREIN
 IS THE SOLE PROPERTY OF COFAN USA INC. THE DISCLOSURE
 OF THIS INFORMATION DOES NOT CONSTITUTE THE RELEASE OF
 ANY PROPRIETARY RIGHTS THEREIN. PERMISSION TO REPRODUCE
 THIS INFORMATION OR THE PRODUCTS DISCLOSED HEREIN
 MUST BE OBTAINED IN WRITING FROM COFAN USA INC.

REVISION HISTORY					
REV	DESCRIPTION	DRWN	CHK'D	APPVD	DATE

NOTES:
 ① MATERIAL: PLEASE SEE BOM FOR DETAILS.
 ② FINISH: N/A



Item	Part Description	COFAN USA P/N	COFAN P/N	REV	Q'ty	NAME	DATE	CUSTOMER PART NUMBER:	COFAN USA 46177 WARM SPRINGS BLVD. FREMONT CA 94539		
②	3M8805 THERMAL TAPE	70-1178	---	01	1	Kevin	07/03/10	-----	NAME: HEAT SINK + PAD, 35X35X11.5 MM		
①	HEAT SINK	20-4673	---	01	1	IVAN	10/12/10	COFAN USA PART NUMBER: 30-2521	SCALE: N/DN	CUS REV: --	COF REV: 01
								COFAN DRAWING NUMBER: -----	DATE DRAWN: Jul-03-2010		
								COFAN PART NUMBER: -----	SHEET: 1 OF 1		

DO NOT SCALE DRAWING
 UNLESS OTHERWISE SPECIFIED
 DIMENSIONS ARE IN MILLIMETRE
 TOLERANCES ARE:
 1 PLACE .X ± 0.25
 2 PLACE .XX ± 0.15
 3 PLACE .XXX ± 0.06
 ANGLES EXCEPT 90° ± 1°
 MAXIMUM SURFACE ROUGHNESS 3.2