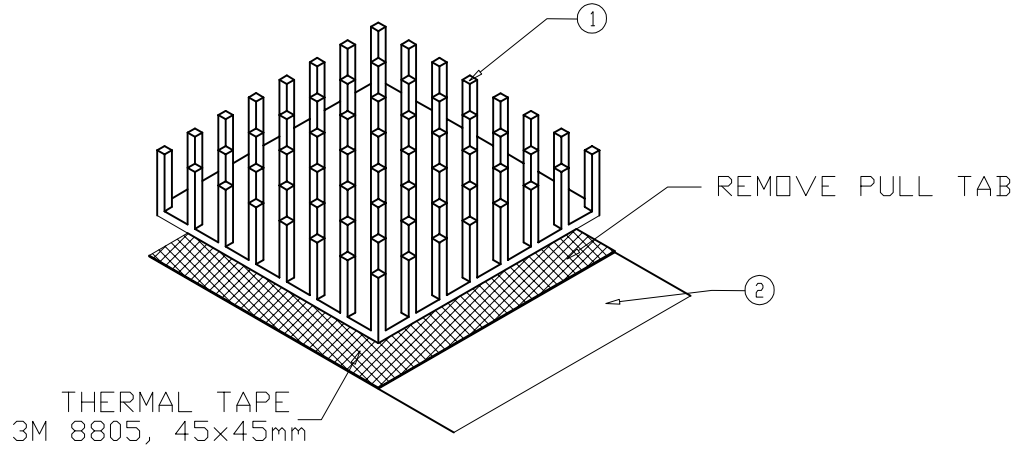
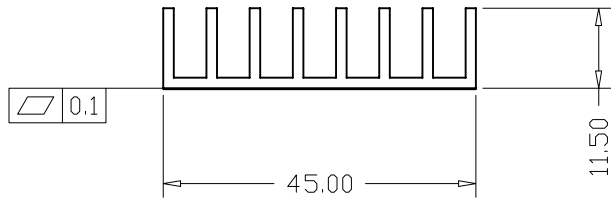
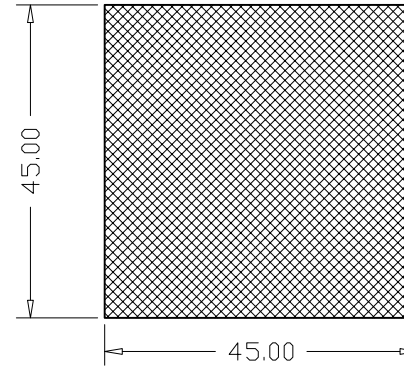
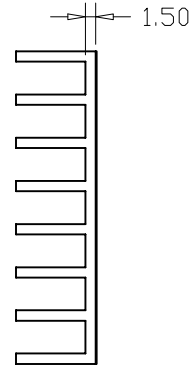
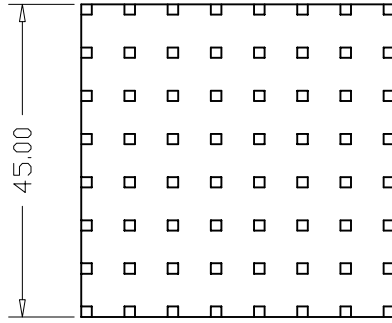


NOTICE - PROPRIETARY INFORMATION  
 THE DESIGN AND RELATED INFORMATION CONTAINED HEREIN  
 IS THE SOLE PROPERTY OF COFAN USA INC. THE DISCLOSURE  
 OF THIS INFORMATION DOES NOT CONSTITUTE THE RELEASE OF  
 ANY PROPRIETARY RIGHTS THEREIN. PERMISSION TO REPRODUCE  
 THIS INFORMATION OR THE PRODUCTS DISCLOSED HEREIN  
 MUST BE OBTAINED IN WRITING FROM COFAN USA INC.

REVISION HISTORY					
REV	DESCRIPTION	DRWN	CHK'D	APPVD	DATE

- NOTES:  
 ① MATERIAL: PLEASE SEE BOM FOR DETAILS.  
 ② FINISH: N/A



Item	Part Description	COFAN USA P/N	COFAN P/N	REV	Q'ty	NAME	DATE	CUSTOMER PART NUMBER:	COFAN USA
②	3M8805 THERMAL TAPE	70-2196	---	01	1	Kevin	07/03/10	-----	46177 WARM SPRINGS BLVD. FREMONT CA 94539
①	HEAT SINK	20-4672	---	01	1			COFAN USA PART NUMBER: 30-2522	NAME: HEAT SINK + PAD, 45X45X11.5 MM
								COFAN DRAWING NUMBER: -----	SCALE: N/DN
								COFAN PART NUMBER: -----	CUS REV: --
									COF REV: 01
									DATE DRAWN: Jul-03-2010
									SHEET: 1 OF 1

DO NOT SCALE DRAWING  
 UNLESS OTHERWISE SPECIFIED  
 DIMENSIONS ARE IN MILLIMETRE  
 TOLERANCES ARE:  
 1 PLACE .X ± 0.25  
 2 PLACE .XX ± 0.15  
 3 PLACE .XXX ± 0.06  
 ANGLES EXCEPT 90° ± 1°  
 MAXIMUM SURFACE ROUGHNESS 3.2