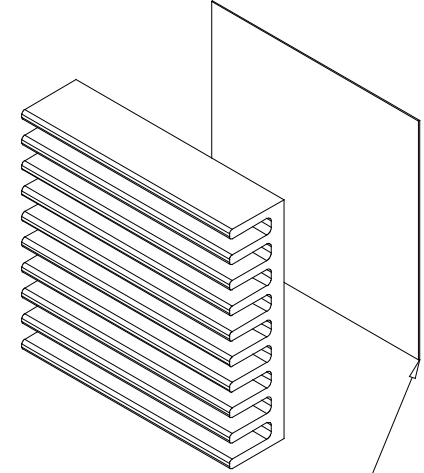


NOTICE - PROPRIETARY INFORMATION  
 THE DESIGN AND RELATED INFORMATION CONTAINED HEREIN IS THE SOLE PROPERTY OF COFAN USA INC. THE DISCLOSURE OF THIS INFORMATION DOES NOT CONSTITUTE THE RELEASE OF ANY PROPRIETARY RIGHTS THEREIN. PERMISSION TO REPRODUCE THIS INFORMATION OR THE PRODUCTS DISCLOSED HEREIN MUST BE OBTAINED IN WRITING FROM COFAN USA INC.

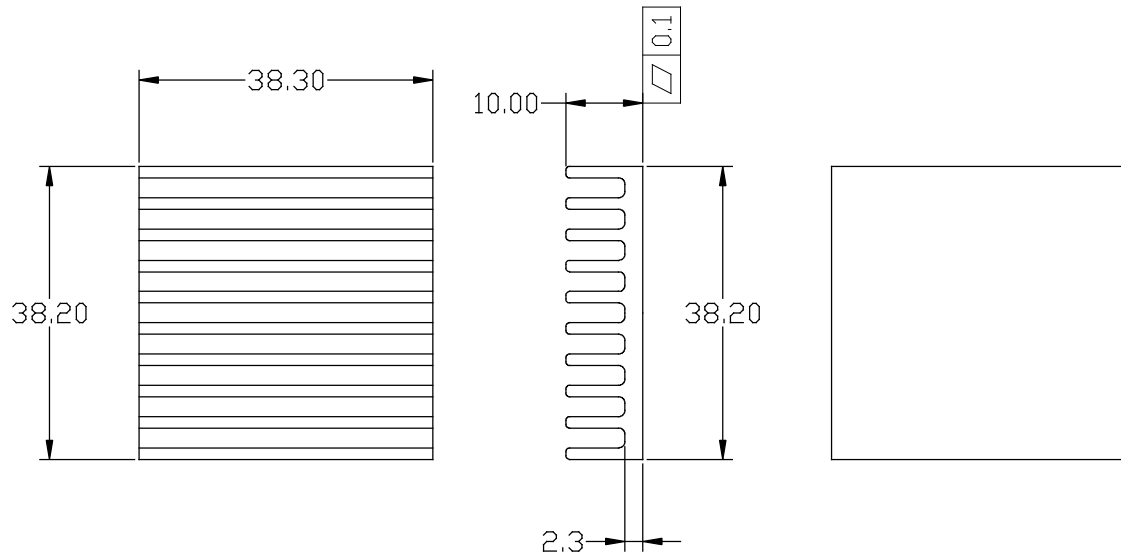
REVISION HISTORY					
REV	DESCRIPTION	DRWN	CHK'D	APPVD	DATE
—	—	—	—	—	—

NOTES

- 1. MATERIAL: AL 6063-T5
- 2. FINISH: BLACK ANODIZE
- 3. PART WEIGHT: 21.17g
- 4.  $\triangle$  IS CRITICAL INSPECTION POINT. NUMBERING IN TRIANGLE IS TO BE USED FOR CROSS REFERENCE OF INSPECTION REPORT TO DRAWING DIMENSION OR FEATURE.
- 5. NO SHARP BURR OR EDGES



Bergquist Bondply 100  
 0.127MM (.005") Thick x 38.2 x 38.2mm



**RoHS  
 Compliant  
 2002/95/EC**

COFAN P/N NOTES:  
 1. USING 20-1088 (NO PAD)  
 2. USING 30-2583 (WITH PAD)

DO NOT SCALE DRAWING		NAME:	DATE:	CUSTOMER DRAWING NUMBER:	 <small>46177 WARM SPRINGS BLVD FRENCH CREEK CA 94539</small>	
UNLESS OTHERWISE SPECIFIED DIMENSIONS ARE IN MILLIMETRE TOLERANCES ARE:		DRAWN BY:	IVANC	6/8/12	CUSTOMER PART NUMBER:	NAME:
1 PLACE .X	$\pm 0.2$	CHECKED BY:			-----	HEAT SINK WITH PAD
2 PLACE .XX	$\pm 0.12$	CHECKED BY:			COFAN DRAWING NUMBER:	SCALE:
3 PLACE .XXX	$\pm 0.06$	APPR BY:			30-2583	1:1
ANGLES EXCEPT 90°	$\pm 0.5^\circ$				COFAN PART NUMBER:	CUS REV:
MAXIMUM SURFACE ROUGHNESS	3.2 $\sqrt{\quad}$				30-2583	-
						COF REV:
						01
						DATE DRAWN
						1 OF 1
						JUN-8-2012