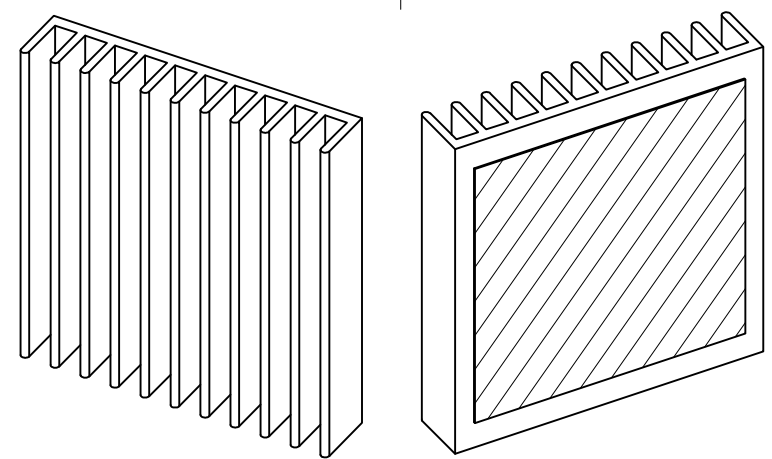
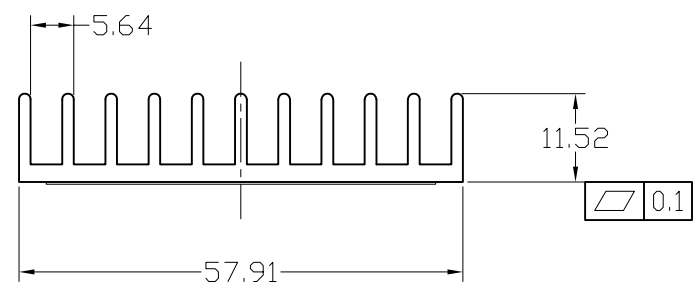
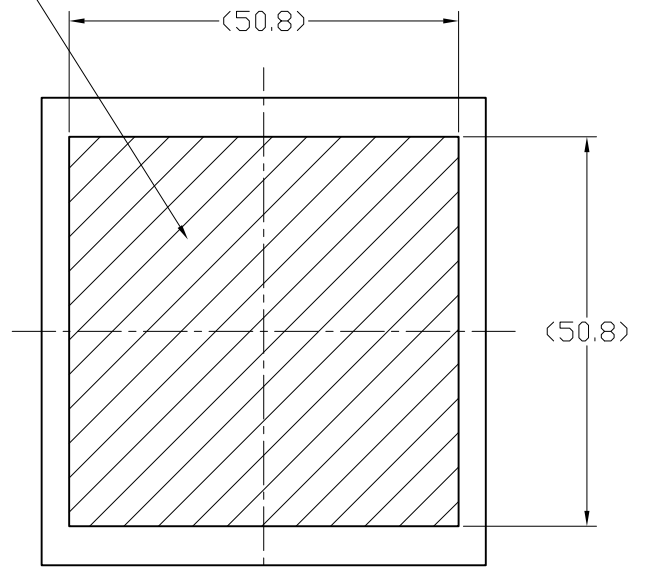
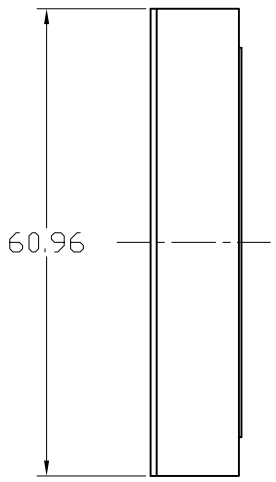
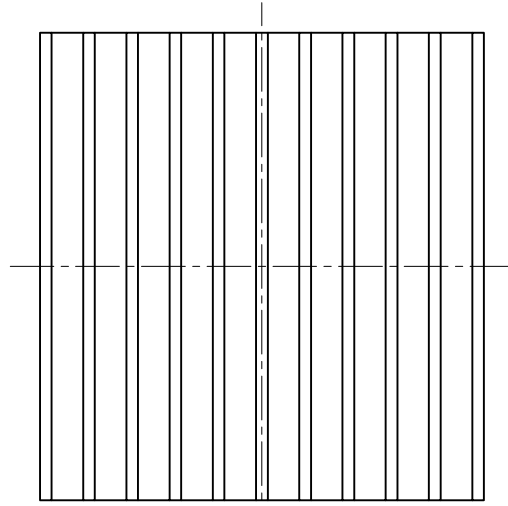


NOTICE - PROPRIETARY INFORMATION
 THE DESIGN AND RELATED INFORMATION CONTAINED HEREIN
 IS THE SOLE PROPERTY OF COFAN INC. THE DISCLOSURE
 OF THIS INFORMATION DOES NOT CONSTITUTE THE RELEASE OF
 ANY PROPRIETARY RIGHTS THEREIN. PERMISSION TO REPRODUCE
 THIS INFORMATION OR THE PRODUCTS DISCLOSED HEREIN
 MUST BE OBTAINED IN WRITING FROM COFAN INC.

Bergquist Bond-Ply 100
 50.8 x 50.8 x .127 MM



SCALE 0.8:1

COFAN PART # 20-1591 (WITHOUT PAD)
 COFAN PART # 30-2584 (WITH PAD)

DO NOT SCALE DRAWING <small>UNLESS OTHERWISE SPECIFIED DIMENSIONS ARE IN MILLIMETRE TOLERANCES ARE:</small> 1 PLACE .X ± 0.4 2 PLACE .XX ± 0.25 3 PLACE .XXX ± 0.13 <small>ANGLES EXCEPT 90° ± 1° MAXIMUM SURFACE ROUGHNESS 125√</small>	MATERIAL: AL 6063-T5	CUSTOMER DRAWING NUMBER: -	 <small>46177 WARM SPRINGS BLVD FREMONT CA 94539</small>	
	FINISH: Black Anodize	CUSTOMER PART NUMBER: -	NAME: HEAT SINK	
	DRAWN BY: Dan	COFAN DRAWING NUMBER: 30-2584	SCALE: 1:1	REV: 01
	APPR BY: IVANC	COFAN PART NUMBER: 30-2584	SHEET: 1 OF 1	DATE DRAWN: Jan-28-2004