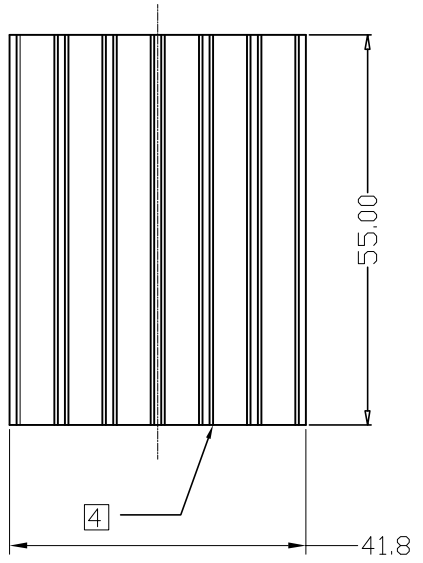
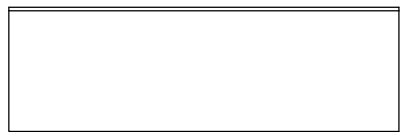
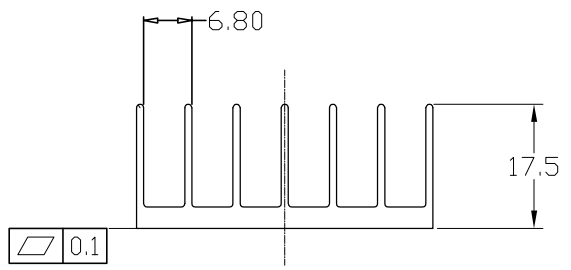
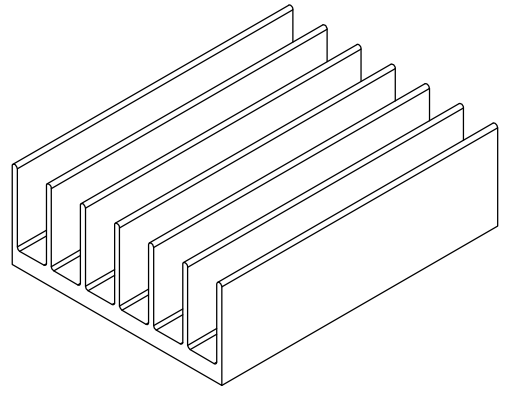


NOTICE - PROPRIETARY INFORMATION  
 THE DESIGN AND RELATED INFORMATION CONTAINED HEREIN  
 IS THE SOLE PROPERTY OF CDFAN INC. THE DISCLOSURE  
 OF THIS INFORMATION DOES NOT CONSTITUTE THE RELEASE OF  
 ANY PROPRIETARY RIGHTS THEREIN. PERMISSION TO REPRODUCE  
 THIS INFORMATION OR THE PRODUCTS DISCLOSED HEREIN  
 MUST BE OBTAINED IN WRITING FROM CDFAN INC.

| REVISION HISTORY |             |      |       |       |      |
|------------------|-------------|------|-------|-------|------|
| REV              | DESCRIPTION | DRWN | CHK'D | APPVD | DATE |
|                  |             |      |       |       |      |

- NOTES:
1. MATERIAL: AL6063-T5
  2. FINISH: BLACK ANODIZE
  3. DEBURR AND BREAK ALL SHARP EDGES.
  4. APPLY THERMAL INTERFACE MATERIAL  
 BERGQUIST BOND-PLY 100 .127MM (.005"),
  5. PART GROSS WEIGHT: 33.68g/pcs



RoHS  
 Compliant  
 2002/95/EC

|   |                 |                                |  |                          |             |
|---|-----------------|--------------------------------|--|--------------------------|-------------|
| DO NOT SCALE DRAWING<br>UNLESS OTHERWISE SPECIFIED<br>DIMENSIONS ARE IN MILLIMETRE<br>TOLERANCES ARE:<br>1 PLACE .X ± 0.4<br>2 PLACE .XX ± 0.20<br>3 PLACE .XXX ± 0.06<br>ANGLES EXCEPT 90° ± 1°<br>MAXIMUM SURFACE ROUGHNESS 3.2 √ | MATERIAL: 1     | CUSTOMER DRAWING NUMBER: ----- | 46177 Warn Springs Blvd, Fremont, CA 94539 |                          |             |
|   | FINISH: 2       | CUSTOMER PART NUMBER: -----    | NAME: HEAT SINK + PAD, , 55X41.8X17.5 MM   |                          |             |
|   | DRAWN BY: DAN   | CDFAN DRAWING NUMBER: 30-2600  | SCALE: 1:1                                 | CUS REV: 01              | CDF REV: 01 |
|   | APPR BY: IVAN.C | CDFAN PART NUMBER: 30-2600     | SHEET: 1 DF 1                              | DATE DRAWN: Sept-18-2003 |             |