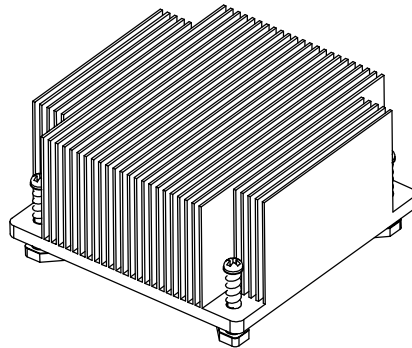
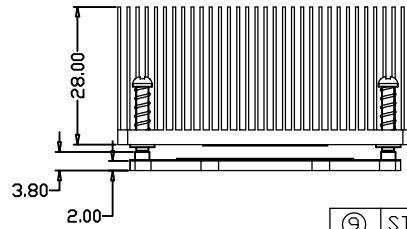
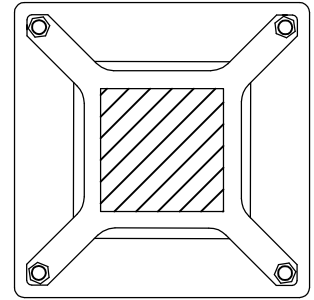
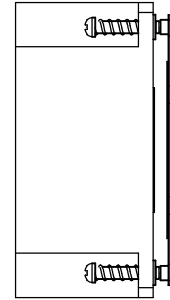
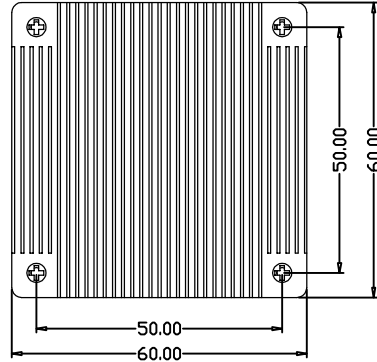
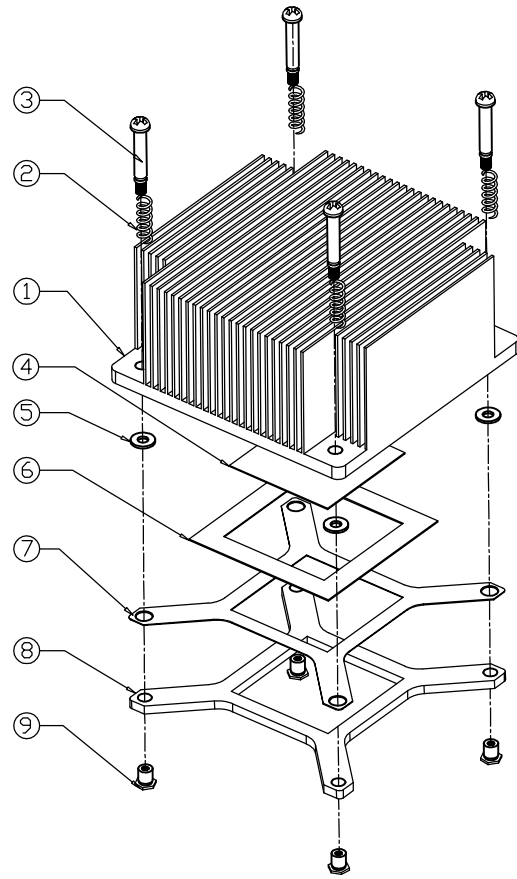


NOTICE - PROPRIETARY INFORMATION  
 THE DESIGN AND RELATED INFORMATION CONTAINED HEREIN  
 IS THE SOLE PROPERTY OF COFAN USA INC. THE DISCLOSURE  
 OF THIS INFORMATION DOES NOT CONSTITUTE THE RELEASE OF  
 ANY PROPRIETARY RIGHTS THEREIN. PERMISSION TO REPRODUCE  
 THIS INFORMATION OR THE PRODUCTS DISCLOSED HEREIN  
 MUST BE OBTAINED IN WRITING FROM COFAN USA INC.

REVISION HISTORY					
REV	DESCRIPTION	DRWN	CHK'D	APPVD	DATE
01	INITIAL RELEASE.	KEVIN	IVAN.C		12/22/10
02					
03					



ITEM	ITEM NAME	PART #	MATERIAL AND PLATING	QTY
⑨	STANDOFF	50-1520 REV01	SUS, RoHS PASSIVATE, 3.8MM	4
⑧	BACKING PLATE	50-1503 REV01	STEEL, CLEAR ZN PLATE, 3.8MM SD	1
⑦	INSULATOR	50-1198 REV01	3M D272	1
⑥	FOAM	50-1199 REV01	PDRON	1
⑤	WASHER	50-1441 REV01	BLACK NYLON	4
④	THERMAL PAD	70-2119 REV01	LAIRD TPCM-588, 25 x 25MM	1
③	SCREW	60-1278 REV02	STEEL, NICKEL PLATE	4
②	SPRING	50-1413 REV01	SPRING STEEL, ZINC PLATED	4
①	HEAT SINK	20-4167 REV01	COPPER, ANTI-OXIDIZE, 27 FINS	1

ROHS  
 COMPLIANT  
 2002/95/EC

DO NOT SCALE DRAWING		NAME:	DATE:	CUSTOMER DRAWING NUMBER:	 46177 WARM SPRINGS BLVD FREMONT CA 94539		
UNLESS OTHERWISE SPECIFIED DIMENSIONS ARE IN MILLIMETRE TOLERANCES ARE:		DRAWN BY:	KEVIN	12/21/10	CUSTOMER PART NUMBER:	NAME: HEAT SINK ASSY	
1 PLACE .X	± 0.4	CHECKED BY:	IVAN.C	12/22/10	COFAN DRAWING NUMBER:	SCALE:	CUS REV:
2 PLACE .XX	± 0.25	CHECKED BY:			30-2675	NONE	--
3 PLACE .XXX	± 0.13	APPR BY:			COFAN PART NUMBER:	SHEET:	DATE DRAWN:
ANGLES EXCEPT 90°	± 0.5°				30-2675	1 OF 1	12-21-10
MAXIMUM SURFACE ROUGHNESS	3.2						