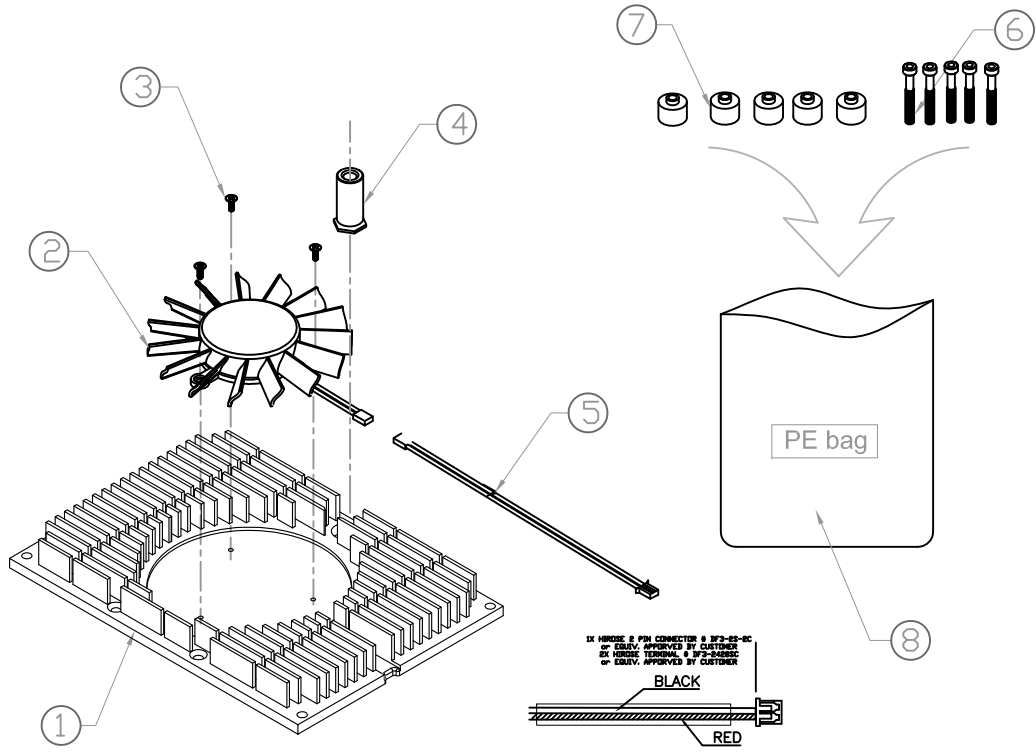


NOTICE - PROPRIETARY INFORMATION  
 THE DESIGN AND RELATED INFORMATION CONTAINED HEREIN  
 IS THE SOLE PROPERTY OF COFAN USA INC. THE DISCLOSURE  
 OF THIS INFORMATION DOES NOT CONSTITUTE THE RELEASE OF  
 ANY PROPRIETARY RIGHTS THEREIN. PERMISSION TO REPRODUCE  
 THIS INFORMATION OR THE PRODUCTS DISCLOSED HEREIN  
 MUST BE OBTAINED IN WRITING FROM COFAN USA INC.

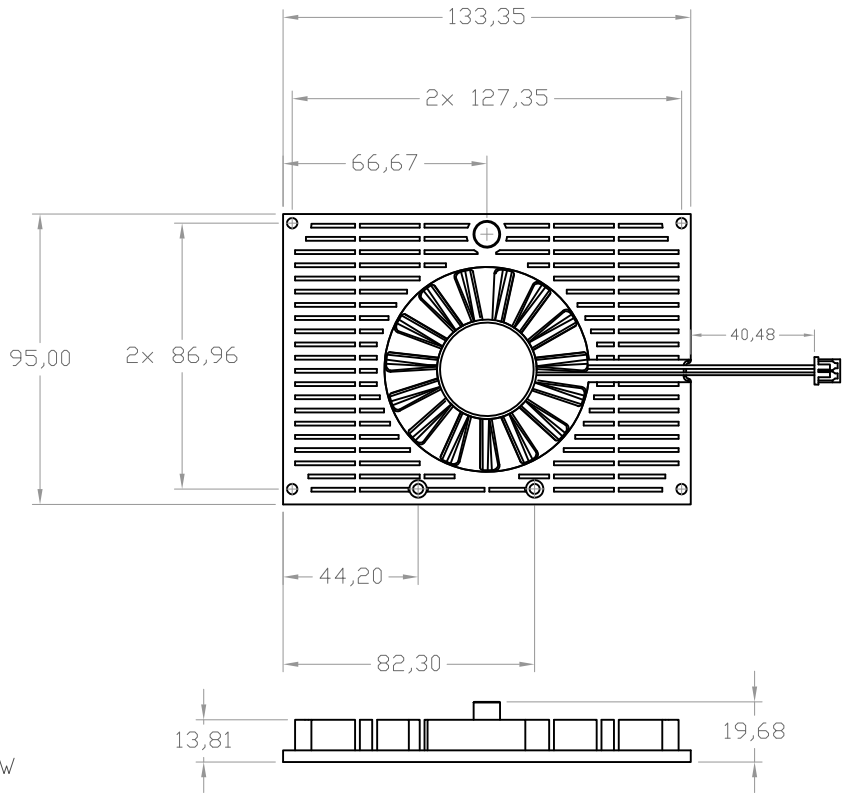
| REVISION HISTORY |             |      |       |       |      |
|------------------|-------------|------|-------|-------|------|
| REV              | DESCRIPTION | DRWN | CHK'D | APPVD | DATE |
|                  |             |      |       |       |      |

Tape hardware bag to heatsink



RoHS  
 COMPLIANT  
 2002/95/EC

THERMAL RESISTANCE: .88 C/W



| ITEM | ITEM NAME        | COFAN P/N     | REV | DESCRIPTION   | QTY |
|------|------------------|---------------|-----|---|-----|
| ⑧    | PE bag           | 50-1618       | 01  | PE bag; 70x100mm  | 1   |
| ⑦    | Heat sink spacer | 50-1616       | 01  | AL / Clear anodized   | 5   |
| ⑥    | M3x0.5 Screw     | 60-1566       | 01  | 18-8 W/BLACK OXIDE / Black oxide coating.   | 5   |
| ⑤    | Cable            | 50-1617       | 01  | Connector, hirose electronic P/N: DF3-2EP-2C, MATES WITH HIROSE ELECTRONIC P/N: DF3-2S-2C 300 Series stainless steel / Passivated BSDS PEM Hex Standoff | 1   |
| ④    | PEM              | 50-1619       | 01  | 300 Series stainless steel / Passivated BSDS PEM Hex Standoff   | 1   |
| ③    | M2x0.4 Screw     | 60-1098       | 01  | Steel / Black Zinc plating  | 3   |
| ②    | Fan              | F-7010H12BIII | 01  | FAN, 70x10mm, 12V, 2 Wire,  | 1   |
| ①    | Heat sink        | 20-4730       | 03  | Bead-blasted 80# then high phosphorus chemical nickel plated(phosphorus 9%-12%)   | 1   |

| Value          | Temp | 25      | 30      | 40     | 50     | 60     | 70    |
|----------------|------|---------|---------|--------|--------|--------|-------|
| AF             |      | 45.25   | 32      | 16     | 8      | 4      | 2     |
| ESTIMATED MTTF |      | 1801739 | 1274022 | 637011 | 318506 | 159253 | 79626 |
| ESTIMATED L10  |      | 257391  | 182003  | 91002  | 45501  | 22750  | 11375 |

| MODEL NO      | RATED VOLTAGE V | OPERATING VOLTAGE V | RATED CURRENT A | ACTUAL CURRENT A | RATED POWER W | RATED SPEED RPM | MAX AIR FLOW |      | MAX PRESSURE       |                    | NOISE LEVEL dBA |
|---------------|-----------------|---------------------|-----------------|------------------|---------------|-----------------|--------------|------|--------------------|--------------------|-----------------|
|               |                 |                     |                 |                  |               |                 | CMM          | CFM  | mmH <sub>2</sub> O | InH <sub>2</sub> O |                 |
| F-7010H12BIII | 12              | 6-13.8              | 0.30            | 0.14             | 3.60          | 2500            | 0.193        | 6.82 | 8.00               | 0.315              | 28.8            |

**DO NOT SCALE DRAWING**

UNLESS OTHERWISE SPECIFIED DIMENSIONS ARE IN MILLIMETRE TOLERANCES ARE:

1 PLACE .X ±  
 2 PLACE .XX ± 0.13  
 3 PLACE .XXX ±  
 ANGLES EXCEPT 90° ±  
 MAXIMUM SURFACE ROUGHNESS 64√

NAME: \_\_\_\_\_ DATE: \_\_\_\_\_ CUSTOMER DRAWING NUMBER: \_\_\_\_\_  
 DRAWN BY: *Along* 11-03-2010  
 CHECKED BY: \_\_\_\_\_ CUSTOMER PART NUMBER: \_\_\_\_\_  
 CHECKED BY: \_\_\_\_\_ COFAN USA PART NUMBER: 30-2718 SCALE: 1:1 CUS REV: 01 COF REV: 01  
 APPR BY: \_\_\_\_\_ CUSTOMER PART NUMBER: \_\_\_\_\_ SHEET: 1 OF 1 DATE DRAWN: 11-03-2010

**COFAN USA**  
 46177 WARM SPRINGS BLVD FRENTO CA 94539  
 NAME: Heat sink-ASSY