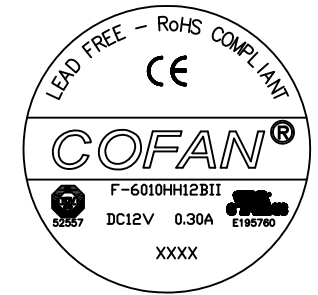
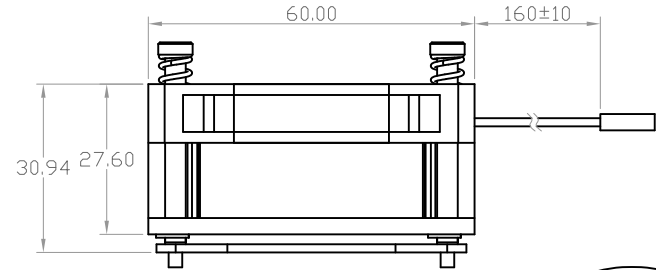
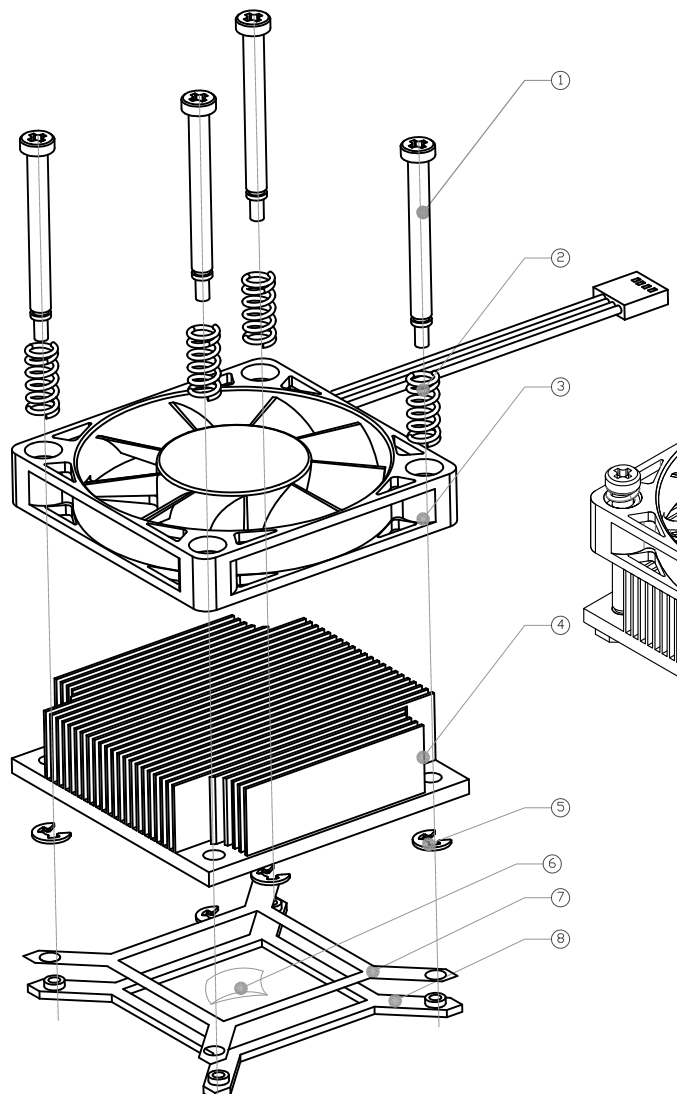
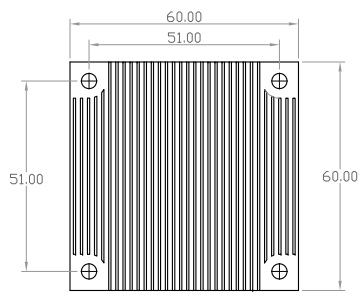


NOTICE - PROPRIETARY INFORMATION  
 THE DESIGN AND RELATED INFORMATION CONTAINED HEREIN IS THE SOLE PROPERTY OF COFAN USA INC. THE DISCLOSURE OF THIS INFORMATION DOES NOT CONSTITUTE THE RELEASE OF ANY PROPRIETARY RIGHTS THEREIN. PERMISSION TO REPRODUCE THIS INFORMATION OR THE PRODUCTS DISCLOSED HEREIN MUST BE OBTAINED IN WRITING FROM COFAN USA INC.

# Cpu Cooler

## Socket 988 13 15 17

REVISION HISTORY					
REV	DESCRIPTION	DRWN	CHK'D	APPVD	DATE
-	-	-	-	-	-



POSITION 4 : BLUE - PWM CONTROL  
 POSITION 3 : YELLOW - TACH SENSOR  
 POSITION 2 : RED +12V  
 POSITION 1 : BLACK GROUND

RoHS  
 COMPLIANT  
 2002/95/EC

ITEM	DESCRIPTION	COFAN USA P/N	COFAN P/N	MATERIAL/FINISH	QTY
⑧	BACK PLATE	-	--	SPCC/NICKEL PLATE	1
⑦	INSULATION	-	--	DOUBLE SIDES 3M D272,	1
⑥	Grease	50-1068	--	ST350 1G/BAG	1G
⑤	E-rings	50-1583 Rev02	--	STEEL/HRC 44-52°C,NICKEL PLATING	4
④	CU SINK	20-5194	--	CU-I100,SKIVE FIN/ANTIOXIDANT	1
③	FAN	F-6010HH12BII-PWM	--	FAN,60x10mm, 12Vdc 4800 RPM,w/Tach, PWM, Conn,	1
②	SPRING	50-1223 Rev01	--	MW(MUSIC WIRE)/ZINC PLATE/PER ASTM B633	4
①	SCREW	60-1687	--	300 Series Stainless Steel/NICKEL PLATE.	4

MODEL NO	RATED VOLTAGE V	OPERATING VOLTAGE V	RATED CURRENT A	ACTUAL CURRENT A	RATED POWER W	RATED SPEED RPM	MAX AIR FLOW		MAX PRESSURE		NOISE LEVEL dBA
							CMM	CFM	mmH <sub>2</sub> O	InH <sub>2</sub> O	
F-6010HH12BII	12	7~13.8	0.30	0.25	3.60	4800	0.595	21.01	4.54	0.179	36.1

DO NOT SCALE DRAWING UNLESS OTHERWISE SPECIFIED DIMENSIONS ARE IN MILLIMETRE TOLERANCES ARE:		MATERIAL: See Note		CUSTOMER PART NUMBER: ---		COFAN USA 46177 WARM SPRINGS BLVD. FREMONT CA 94539	
1 PLACE .X	± 0.25	DRAWN BY:	Fred	COFAN_USA PART NUMBER:	30-2816	NAME:	Cpu Cooler Socket 988 13 15 17
2 PLACE .XX	± 0.20	CHECKED BY:	Ajje	NEW COFAN PART NUMBER:	---	SCALE:	1:1
3 PLACE .XXX	± 0.10	APPR BY:		UNIT:	mm	CUS REV:	--
ANGLES EXCEPT 90°	± 1°			SHEET:	1 OF 1	COF REV:	01
MAXIMUM SURFACE ROUGHNESS	3.2 √			DATE DRAWN:	Jul-27-2011		