

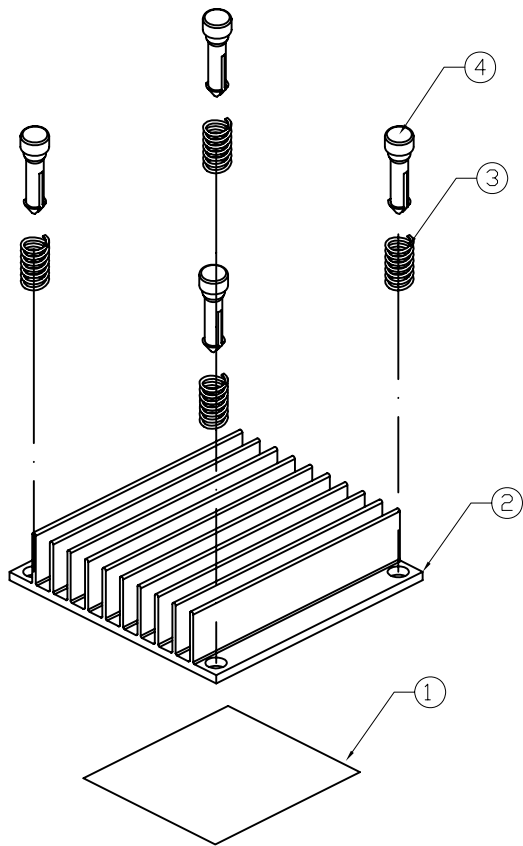


Approval Specification for Cofan Part # 30-1105 HIT04603 Rev 02

Revision: Date: December 28, 2005

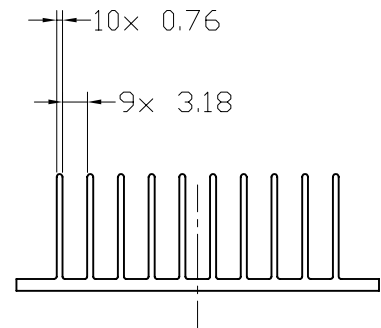
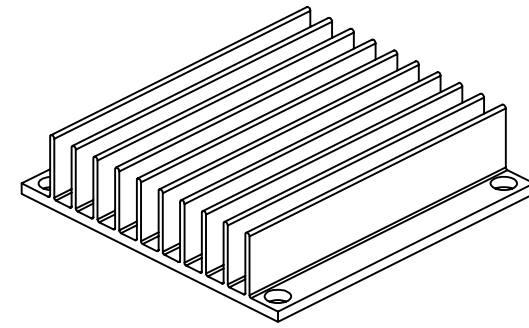
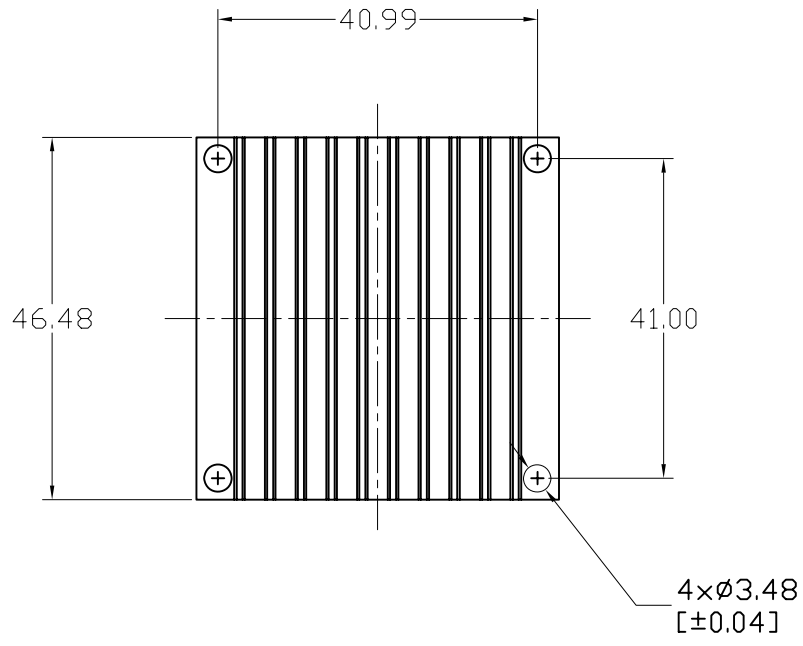
Cofan USA, 11 F I I A æ { Â] i ā • Ó ç ã Ê ^ { [} Ê Ö Á Í HJ www.cofan-usa.com (800) 766-6097

NOTICE - PROPRIETARY INFORMATION
 THE DESIGN AND RERIALIZED INFORMATION CONTAINED HEREIN IS THE SOLE PROPERTY OF COFAN INC. THE DISCLOSURE OF THIS ANY PROPRIETARY RIGHTS THEREIN. PERMISSION TO REPRODUCE THIS INFORMATION OR THE PRODUCTS DISCLOSED HEREIN MUST BE OBTAINED IN WRITING FROM COFAN INC.



DO NOT SCALE DRAWING UNLESS OTHERWISE SPECIFIED DIMENSIONS ARE IN MILLIMETRE TOLERANCES ARE: 1 PLACE .X ± .03 2 PLACE .XX ± .01 3 PLACE .XXX ± .005 ANGLES EXCEPT 90° ± 1° MAXIMUM SURFACE ROUGHNESS 125√	COFAN DRAWING NUMBER: 30-1105		 46177 WARM SPRINGS BLVD FREMONT CA 94539	
	MATERIAL:		HEAT SINK ASSY, MOBILE CELERON	
	FINISH:	DRAWN BY: SAM	PART NUMBER: 30-1105 HIT04603	REV: 02
	ENGINEER:	SHEET:	DATE DRAWN: DEC-28-2005	SCALE:

REVISIONS				
REV	DESCRIPTION OF CHANGE	DRAWN	DATE	APRV'D
X01	INITIAL DRAWING			
X02	CHANGE HOLE DIAMETER 3.43 +/-0.14 TO 3.5+/-0.05	JAG	9-JULY-03	



DO NOT SCALE DRAWING UNLESS OTHERWISE SPECIFIED DIMENSIONS ARE IN MILLIMETRE TOLERANCES ARE 1 PLACE .X \pm 0.4 2 PLACE .XX \pm 0.25 3 PLACE .XXX \pm 0.13 ANGLES EXCEPT 90° \pm 1° MAXIMUM SURFACE ROUGHNESS 125 \sqrt	DRAWING NUMBER:	HIT04603		
	MATERIAL:	AL 6063-T5		
	FINISH:	BLACK ANODIZED		
	DRAWN BY:	SAM	PART NUMBER:	HIT04603
ENGINEER:		SHEET:	DATE DRAWN:	SCALE:
			01-21-04	1:1



HEAT SINK

REV	REVISIONS	DATE	BY
8			
7			