









**Cofan USA**  
**46177 Warm Springs Blvd**  
**Fremont, CA 94539**  
**USA**

**TEL: (800) 766-6097**  
**FAX: (510) 490-7931**  
**www.cofan-usa.com**

## SPECIFICATION FOR APPROVAL

**Rev 03**

### 1. SCOPE:

This specification defines the electrical and mechanical characteristics of the following DC brushless axial flow fan:

Item		Description	
1-1	Part Number	F-4007M12C-03	
1-2	Outline Dimensions	40 x 40 x 7.2 mm (see dimensions drawing #7)	
1-3	Bearing System	1 Ball Bearing	
1-4	Rated Voltage	12 VDC	
1-5	Operating Voltage	9.0~13.8 VDC	
1-6	Input Current	0.12 A (.10A in running conditions)	
1-7	Input Power	1.44W	
1-8	Speed	6000 R.P.M.	a. 25°C, 65% RH, b. Free Air c. Rated Voltage
1-9	Max. Air Flow (At zero static pressure)	6.36 CFM	a. Rated Voltage b. AMCA Standard
1-10	Max. Air Pressure (At zero airflow)	0.087 in H <sub>2</sub> O	c. Rated Current
1-11	Acoustical Noise (Avg)	30.9 dBA	a. Rated Voltage b. Measured in a Non-Echo Chamber c. CNS 8753 Standard d. ISO 3744 Test Condition
1-12	Life Expectance	70,000 hours	a. Continuous operation
1-13	Insulation Type	UL: Class A	
1-14	Weight	8 Grams	
1-15	Rotation	Clockwise from label side	

## 2. Major Material

Materials / Parts	Specification	Remarks
Plastic Material	Frame: PBT70%: + FIBER30% Impeller: PBT85% + FIBER15%	UL: 94V-0 UL: 94V-0
Lead Wire	(+) Red; (-) Black; (Signal) Yellow; AWG#28(2 Pin), #30(3Pin)	UL: 1007-F
Connector	Upon customer specifications custom connector can be installed at minimum extra charge	

## 3. Electrical Characteristics & Test Environmental:

Item	Specification / Condition
3-1	Operation Temperature -10°C ~ +70°C
3-2	Storage Temperature -40°C ~ +75°C
3-3	Operating Humidity 5 to 90% RH
3-4	Storage Humidity 5 to 95% RH
3-5	Locked Rotor Protection <ul style="list-style-type: none"> <li>a. The current will shut down when rotation is locked</li> <li>b. Automatic restart after a continuous 72 hours rotation lock at rated voltage.</li> <li>c. Impedance of motor winding protects motor from fire after 72 hours of locked rotor condition at the rated voltage.</li> <li>d. Signal Alarm- Optional</li> </ul>
3-6	Insulation Strength 10Meg Ohm min at 500VDC Between Frame and (+) terminal
3-7	Dielectric Strength Withstand 5 mA Max 500 VAC 60 Hz for one minute, (between frame and (+) terminal)
3-8	Vibration Test Vibration test in rest status, scan frequency : 5~55Hz 1OCT/Min. in the 3 directions(X.Y.Z), take 16 rotating scan for each axis.
3-9	Shock Test Test of acceleration 30G is applied in the 3 directions (X.Y.Z) and 6 faces, take 11± 1ms(Half Chord Wave), 3 times for each face.
3-10	Noise Level Measured in a semi-anechoic chamber. The fan is running in free air with Microphone at a distance of one meter from the fan intake.
3-11	Tolerance ±10% on rated power and current.
3-12	Polarity Protection Capable of withstanding reverse polarity connection

#### 4. Safety Approvals

Safety Approvals	File No.
UL	E195760
CUL	E195760
TUV	EN5008-1
CE	B 04 03 52557 002

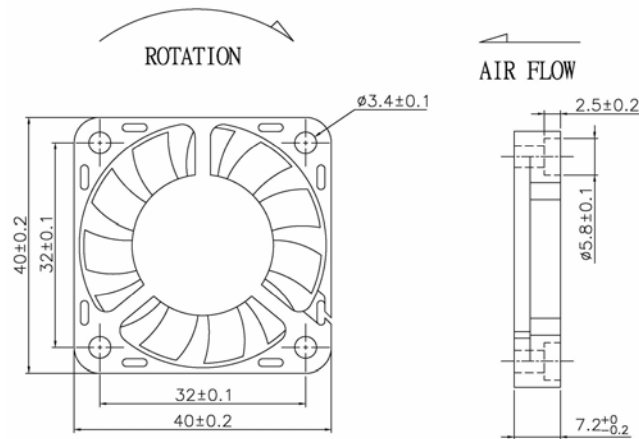
#### 5. Ozone Depleting Substances

5-1. None of our products or manufacturing processes contain or require the use of ozone-depleting chemicals such as PBB's, PBBO's, CFC's, PBBE's, PBDPE's or HCFC's. Furthermore, this fan and all parts associated with this fan (including packaging, housings, and pins) either does not contain any hazardous substances such as lead or mercury or is below the acceptable levels, and is compliant with 2002/95/EC of the European Parliament and of the Council of 27<sup>th</sup> January, 2003 on the restriction on the use of certain hazardous substances in electrical and electronic equipment.

#### 6. Production Location

6-1. Products will be produced in China and Taiwan

#### 7. Dimensional Drawing



## 8. Performance Curve

